

+ + + + + + + + + +
+ + + + + + + + + +
+ + + + + + + + + +
+ + + + + + + + + +

Neue Teile im Lager

nach Kfz-Verwendungen



12/2008



www.ate.de



| | | | | | | |
|---|---|---|---|--------------------|---|---|
|  |  |   |  | Bezeichnung | OE-Nummern zu ATE Artikelnummern |  z.B. Vorsachnummern / diverse |
|---|---|---|---|--------------------|---|---|

ALFA ROMEO

| | | | | | | | | | |
|-----------|-----------------|--|---------|--|----------------|--------|-----------|----------|--|
| 159 (05-) | 2,4 JTDM 20V | | 05.2007 | | 13.0460-4851.2 | 604851 | BELAGSATZ | 77364516 | |
| | | | 01.2007 | | 13.0460-4851.2 | 604851 | BELAGSATZ | 77364516 | |
| | 2,4 JTDM 20V Q4 | | 05.2007 | | 13.0460-4851.2 | 604851 | BELAGSATZ | 77364516 | |
| | 3,2 JTS Q4 | | 01.2007 | | 13.0460-4851.2 | 604851 | BELAGSATZ | 77364516 | |



| | | | | | | | |
|---|---|---|---|---|-------------|--|---|
|  |  |  |  |  | Bezeichnung | OE-Nummern zu ATE Artikelnummern |  z.B. Vorsachnummern / diverse |
|---|---|---|---|---|-------------|--|---|

AUDI

| | | | | | | | | | |
|-------------------------|------------------|--|---------|--|----------------|--------|---------------|-------------------------------|--|
| A3 / A3 Sportback (03-) | 1,4 TFSI | | 07.2007 | | 83.7249-0536.3 | 330900 | BREMSSCHLAUCH | 3C0 611 701 C , 3C0 611 701 J | |
| | 1,6 | | 05.2003 | | 83.7249-0536.3 | 330900 | BREMSSCHLAUCH | 3C0 611 701 C , 3C0 611 701 J | |
| | 1,6 FSI | | 08.2003 | | 83.7249-0536.3 | 330900 | BREMSSCHLAUCH | 3C0 611 701 C , 3C0 611 701 J | |
| | 1,8 TFSI | | 01.2007 | | 83.7249-0536.3 | 330900 | BREMSSCHLAUCH | 3C0 611 701 C , 3C0 611 701 J | |
| | 1,8 TFSI Quattro | | 05.2008 | | 83.7249-0536.3 | 330900 | BREMSSCHLAUCH | 3C0 611 701 C , 3C0 611 701 J | |
| | 1,9 TDI | | 06.2003 | | 83.7249-0536.3 | 330900 | BREMSSCHLAUCH | 3C0 611 701 C , 3C0 611 701 J | |
| | 2,0 FSI | | 05.2003 | | 83.7249-0536.3 | 330900 | BREMSSCHLAUCH | 3C0 611 701 C , 3C0 611 701 J | |
| | 2,0 TDI | | 05.2003 | | 83.7249-0536.3 | 330900 | BREMSSCHLAUCH | 3C0 611 701 C , 3C0 611 701 J | |
| | | | 03.2006 | | 83.7249-0536.3 | 330900 | BREMSSCHLAUCH | 3C0 611 701 C , 3C0 611 701 J | |
| | 2,0 TDI Quattro | | 05.2003 | | 83.7249-0536.3 | 330900 | BREMSSCHLAUCH | 3C0 611 701 C , 3C0 611 701 J | |
| | | | 08.2004 | | 83.7249-0536.3 | 330900 | BREMSSCHLAUCH | 3C0 611 701 C , 3C0 611 701 J | |
| | | | 03.2006 | | 83.7249-0536.3 | 330900 | BREMSSCHLAUCH | 3C0 611 701 C , 3C0 611 701 J | |
| | 2,0 TFSI | | 06.2004 | | 83.7249-0536.3 | 330900 | BREMSSCHLAUCH | 3C0 611 701 C , 3C0 611 701 J | |



| | | | | | | | |
|---|---|---|---|---|-------------|--|---|
|  |  |  |  |  | Bezeichnung | OE-Nummern zu ATE Artikelnummern |  z.B. Vorsachnummern / diverse |
|---|---|---|---|---|-------------|--|---|

AUDI

| | | | | | | | | | |
|-------------------------|------------------|----|---------|--|----------------|--------|---------------|-------------------------------|--|
| A3 / A3 Sportback (03-) | 2,0 TFSI Quattro | | 06.2004 | | 83.7249-0536.3 | 330900 | BREMSSCHLAUCH | 3C0 611 701 C , 3C0 611 701 J | |
| | 3,2 Quattro | | 03.2006 | | 83.7249-0536.3 | 330900 | BREMSSCHLAUCH | 3C0 611 701 C , 3C0 611 701 J | |
| | S3 | | 11.2006 | | 83.7249-0536.3 | 330900 | BREMSSCHLAUCH | 3C0 611 701 C , 3C0 611 701 J | |
| A4 (B6/B7) (01-08) | RS4 4,2 | | 11.2005 | | 83.6169-0418.3 | 330894 | BREMSSCHLAUCH | 4B3 611 707 A , 8E0 611 707 H | |
| | S4 4,2 | VR | 03.2003 | | 11.9606-9962.2 | 220656 | FAUSTSATTEL | 8E0 615 124 B | |
| | | VL | 03.2003 | | 11.9606-9961.2 | 220655 | FAUSTSATTEL | 8E0 615 123 B | |
| A4 (B8) Avant (08-) | 1,8 FSI | | 04.2008 | | 13.0460-7256.2 | 607256 | BELAGSATZ | 8K0 698 151 A | |
| | 1,8 TFSI | | 04.2008 | | 13.0460-7256.2 | 607256 | BELAGSATZ | 8K0 698 151 A | |
| | 2,0 TDI | | 06.2008 | | 13.0460-7256.2 | 607256 | BELAGSATZ | 8K0 698 151 A | |
| | | | 04.2008 | | 13.0460-7256.2 | 607256 | BELAGSATZ | 8K0 698 151 A | |
| | 2,0 TFSI | | 04.2008 | | 13.0460-7256.2 | 607256 | BELAGSATZ | 8K0 698 151 A | |
| | | | 06.2008 | | 13.0460-7256.2 | 607256 | BELAGSATZ | 8K0 698 151 A | |
| | 2,0 TFSI Quattro | | 04.2008 | | 13.0460-7256.2 | 607256 | BELAGSATZ | 8K0 698 151 A | |
| | 2,7 TDI | | 06.2008 | | 13.0460-7256.2 | 607256 | BELAGSATZ | 8K0 698 151 A | |
| | 3,0 TDI Quattro | | 04.2008 | | 13.0460-7256.2 | 607256 | BELAGSATZ | 8K0 698 151 A | |
| | 3,2 FSI Quattro | | 04.2008 | | 13.0460-7256.2 | 607256 | BELAGSATZ | 8K0 698 151 A | |
| A4 (B8) Limousine (07-) | 1,8 TFSI | | 11.2007 | | 13.0460-7256.2 | 607256 | BELAGSATZ | 8K0 698 151 A | |
| | | | 01.2008 | | 13.0460-7256.2 | 607256 | BELAGSATZ | 8K0 698 151 A | |



| | | | | | | | | |
|--|--|--|--|--|-------------|--|--|----------------------------------|
| | | | | | Bezeichnung | OE-Nummern zu ATE Artikelnummern | | z.B. Vorsachnummern / diverse |
|--|--|--|--|--|-------------|--|--|----------------------------------|

AUDI

| | | | | | | | | | |
|-------------------------|------------------|----|---------|--|----------------|--------|---------------|-------------------------------|--|
| A4 (B8) Limousine (07-) | 2,0 TDI | | 01.2008 | | 13.0460-7256.2 | 607256 | BELAGSATZ | 8K0 698 151 A | |
| | | | 06.2008 | | 13.0460-7256.2 | 607256 | BELAGSATZ | 8K0 698 151 A | |
| | | | 11.2007 | | 13.0460-7256.2 | 607256 | BELAGSATZ | 8K0 698 151 A | |
| | 2,0 TDI Quattro | | 01.2008 | | 13.0460-7256.2 | 607256 | BELAGSATZ | 8K0 698 151 A | |
| | 2,0 TFSI | | 06.2008 | | 13.0460-7256.2 | 607256 | BELAGSATZ | 8K0 698 151 A | |
| | 2,0 TFSI Quattro | | 06.2008 | | 13.0460-7256.2 | 607256 | BELAGSATZ | 8K0 698 151 A | |
| | 2,7 TDI | | 11.2007 | | 13.0460-7256.2 | 607256 | BELAGSATZ | 8K0 698 151 A | |
| | 3,0 TDI Quattro | | 11.2007 | | 13.0460-7256.2 | 607256 | BELAGSATZ | 8K0 698 151 A | |
| | 3,2 FSI Quattro | | 11.2007 | | 13.0460-7256.2 | 607256 | BELAGSATZ | 8K0 698 151 A | |
| A4 Cabrio (02-) | RS4 4,2 | | 05.2006 | | 83.6169-0418.3 | 330894 | BREMSSCHLAUCH | 4B3 611 707 A , 8E0 611 707 H | |
| | S4 4,2 Quattro | VR | 02.2004 | | 11.9606-9962.2 | 220656 | FAUSTSATTEL | 8E0 615 124 B | |
| | | VL | 02.2004 | | 11.9606-9961.2 | 220655 | FAUSTSATTEL | 8E0 615 123 B | |
| A5 (07-) | 1,8 TFSI | | 10.2007 | | 13.0460-7256.2 | 607256 | BELAGSATZ | 8K0 698 151 A | |
| | 2,7 TDI | | 05.2007 | | 13.0460-7256.2 | 607256 | BELAGSATZ | 8K0 698 151 A | |
| | 3,0 TDI Quattro | | 05.2007 | | 13.0460-7256.2 | 607256 | BELAGSATZ | 8K0 698 151 A | |
| | 3,2 FSI | | 05.2007 | | 13.0460-7256.2 | 607256 | BELAGSATZ | 8K0 698 151 A | |
| | 3,2 FSI Quattro | | 06.2007 | | 13.0460-7256.2 | 607256 | BELAGSATZ | 8K0 698 151 A | |
| A6 (C6) Avant (05-) | 2,0 TDI | VL | 06.2005 | | 11.9606-9961.2 | 220655 | FAUSTSATTEL | 8E0 615 123 B | |
| | | VR | 10.2008 | | 11.9606-9962.2 | 220656 | FAUSTSATTEL | 8E0 615 124 B | |



| | | | | | | | | |
|--|--|--|--|--|-------------|--|--|----------------------------------|
| | | | | | Bezeichnung | OE-Nummern zu ATE Artikelnummern | | z.B. Vorsachnummern / diverse |
|--|--|--|--|--|-------------|--|--|----------------------------------|

AUDI

| | | | | | | | | | |
|---------------------|-----------------|----|---------|--|----------------|--------|-------------|---------------|--|
| A6 (C6) Avant (05-) | 2,0 TDI | VR | 06.2005 | | 11.9606-9962.2 | 220656 | FAUSTSATTEL | 8E0 615 124 B | |
| | | VL | 10.2008 | | 11.9606-9961.2 | 220655 | FAUSTSATTEL | 8E0 615 123 B | |
| | | VR | 03.2005 | | 11.9606-9962.2 | 220656 | FAUSTSATTEL | 8E0 615 124 B | |
| | | VL | 03.2005 | | 11.9606-9961.2 | 220655 | FAUSTSATTEL | 8E0 615 123 B | |
| | 2,0 TFSI | VR | 06.2005 | | 11.9606-9962.2 | 220656 | FAUSTSATTEL | 8E0 615 124 B | |
| | | VL | 06.2005 | | 11.9606-9961.2 | 220655 | FAUSTSATTEL | 8E0 615 123 B | |
| | 2,4 | VL | 03.2005 | | 11.9606-9961.2 | 220655 | FAUSTSATTEL | 8E0 615 123 B | |
| | | VR | 03.2005 | | 11.9606-9962.2 | 220656 | FAUSTSATTEL | 8E0 615 124 B | |
| | 2,4 Quattro | VR | 03.2005 | | 11.9606-9962.2 | 220656 | FAUSTSATTEL | 8E0 615 124 B | |
| | | VL | 03.2005 | | 11.9606-9961.2 | 220655 | FAUSTSATTEL | 8E0 615 123 B | |
| | 2,7 TDI | VR | 03.2005 | | 11.9606-9962.2 | 220656 | FAUSTSATTEL | 8E0 615 124 B | |
| | | VR | 10.2008 | | 11.9606-9962.2 | 220656 | FAUSTSATTEL | 8E0 615 124 B | |
| | | VL | 03.2005 | | 11.9606-9961.2 | 220655 | FAUSTSATTEL | 8E0 615 123 B | |
| | | VL | 10.2008 | | 11.9606-9961.2 | 220655 | FAUSTSATTEL | 8E0 615 123 B | |
| | 2,7 TDI Quattro | VR | 03.2005 | | 11.9606-9962.2 | 220656 | FAUSTSATTEL | 8E0 615 124 B | |
| | | VL | 10.2008 | | 11.9606-9961.2 | 220655 | FAUSTSATTEL | 8E0 615 123 B | |
| | | VL | 06.2005 | | 11.9606-9961.2 | 220655 | FAUSTSATTEL | 8E0 615 123 B | |
| | | VR | 06.2005 | | 11.9606-9962.2 | 220656 | FAUSTSATTEL | 8E0 615 124 B | |
| | | VR | 10.2008 | | 11.9606-9962.2 | 220656 | FAUSTSATTEL | 8E0 615 124 B | |



| | | | | | | | | |
|--|--|--|--|--|-------------|--|--|----------------------------------|
| | | | | | Bezeichnung | OE-Nummern zu ATE Artikelnummern | | z.B. Vorsachnummern / diverse |
|--|--|--|--|--|-------------|--|--|----------------------------------|

AUDI

| | | | | | | | | | |
|---------------------|-----------------|----|---------|---|----------------|--------|-------------|---------------|--|
| A6 (C6) Avant (05-) | 2,7 TDI Quattro | VL | 03.2005 | | 11.9606-9961.2 | 220655 | FAUSTSATTEL | 8E0 615 123 B | |
| | 2,8 FSI | VL | 10.2008 | | 11.9606-9961.2 | 220655 | FAUSTSATTEL | 8E0 615 123 B | |
| | | VR | 10.2008 | | 11.9606-9962.2 | 220656 | FAUSTSATTEL | 8E0 615 124 B | |
| | | VR | 11.2006 | | 11.9606-9962.2 | 220656 | FAUSTSATTEL | 8E0 615 124 B | |
| | | VL | 11.2006 | | 11.9606-9961.2 | 220655 | FAUSTSATTEL | 8E0 615 123 B | |
| | 2,8 FSI Quattro | VR | 04.2007 | | 11.9606-9962.2 | 220656 | FAUSTSATTEL | 8E0 615 124 B | |
| | | VL | 04.2007 | | 11.9606-9961.2 | 220655 | FAUSTSATTEL | 8E0 615 123 B | |
| | | VR | 10.2008 | | 11.9606-9962.2 | 220656 | FAUSTSATTEL | 8E0 615 124 B | |
| | | VL | 10.2008 | | 11.9606-9961.2 | 220655 | FAUSTSATTEL | 8E0 615 123 B | |
| | 3 | VL | 03.2005 | 3 | 11.9606-9961.2 | 220655 | FAUSTSATTEL | 8E0 615 123 B | |
| | | VR | 03.2005 | | 11.9606-9962.2 | 220656 | FAUSTSATTEL | 8E0 615 124 B | |
| | 3,0 Quattro | VL | 03.2005 | | 11.9606-9961.2 | 220655 | FAUSTSATTEL | 8E0 615 123 B | |
| | | VR | 03.2005 | | 11.9606-9962.2 | 220656 | FAUSTSATTEL | 8E0 615 124 B | |
| | 3,0 TDI Quattro | VL | 03.2005 | | 11.9606-9961.2 | 220655 | FAUSTSATTEL | 8E0 615 123 B | |
| | | VL | 06.2006 | | 11.9606-9961.2 | 220655 | FAUSTSATTEL | 8E0 615 123 B | |
| | | VL | 10.2008 | | 11.9606-9961.2 | 220655 | FAUSTSATTEL | 8E0 615 123 B | |
| | | VR | 03.2005 | | 11.9606-9962.2 | 220656 | FAUSTSATTEL | 8E0 615 124 B | |
| | | VR | 10.2008 | | 11.9606-9962.2 | 220656 | FAUSTSATTEL | 8E0 615 124 B | |
| | | VR | 06.2006 | | 11.9606-9962.2 | 220656 | FAUSTSATTEL | 8E0 615 124 B | |



| | | | | | | | | |
|--|--|--|--|--|-------------|--|--|----------------------------------|
| | | | | | Bezeichnung | OE-Nummern zu ATE Artikelnummern | | z.B. Vorsachnummern / diverse |
|--|--|--|--|--|-------------|--|--|----------------------------------|

AUDI

| | | | | | | | | | |
|-------------------------|------------------|----|---------|--|----------------|--------|-------------|---------------|--|
| A6 (C6) Avant (05-) | 3,0 TFSI Quattro | VL | 10.2008 | | 11.9606-9961.2 | 220655 | FAUSTSATTEL | 8E0 615 123 B | |
| | | VR | 10.2008 | | 11.9606-9962.2 | 220656 | FAUSTSATTEL | 8E0 615 124 B | |
| | 3,2 FSI | VL | 03.2005 | | 11.9606-9961.2 | 220655 | FAUSTSATTEL | 8E0 615 123 B | |
| | | VR | 03.2005 | | 11.9606-9962.2 | 220656 | FAUSTSATTEL | 8E0 615 124 B | |
| | 3,2 FSI Quattro | VL | 03.2005 | | 11.9606-9961.2 | 220655 | FAUSTSATTEL | 8E0 615 123 B | |
| | | VR | 03.2005 | | 11.9606-9962.2 | 220656 | FAUSTSATTEL | 8E0 615 124 B | |
| | 4,2 FSI Quattro | VL | 06.2006 | | 11.9606-9961.2 | 220655 | FAUSTSATTEL | 8E0 615 123 B | |
| | | VR | 06.2006 | | 11.9606-9962.2 | 220656 | FAUSTSATTEL | 8E0 615 124 B | |
| | 4,2 Quattro | VL | 03.2005 | | 11.9606-9961.2 | 220655 | FAUSTSATTEL | 8E0 615 123 B | |
| | | VR | 03.2005 | | 11.9606-9962.2 | 220656 | FAUSTSATTEL | 8E0 615 124 B | |
| A6 (C6) Limousine (04-) | 2,0 TDI | VL | 07.2004 | | 11.9606-9961.2 | 220655 | FAUSTSATTEL | 8E0 615 123 B | |
| | | VR | 07.2004 | | 11.9606-9962.2 | 220656 | FAUSTSATTEL | 8E0 615 124 B | |
| | | VL | 06.2005 | | 11.9606-9961.2 | 220655 | FAUSTSATTEL | 8E0 615 123 B | |
| | | VL | 10.2008 | | 11.9606-9961.2 | 220655 | FAUSTSATTEL | 8E0 615 123 B | |
| | | VR | 10.2008 | | 11.9606-9962.2 | 220656 | FAUSTSATTEL | 8E0 615 124 B | |
| | | VR | 06.2005 | | 11.9606-9962.2 | 220656 | FAUSTSATTEL | 8E0 615 124 B | |
| | 2,0 TFSI | VL | 06.2005 | | 11.9606-9961.2 | 220655 | FAUSTSATTEL | 8E0 615 123 B | |
| | | VR | 06.2005 | | 11.9606-9962.2 | 220656 | FAUSTSATTEL | 8E0 615 124 B | |
| | 2,4 | VL | 04.2004 | | 11.9606-9961.2 | 220655 | FAUSTSATTEL | 8E0 615 123 B | |



| | | | | | | | |
|---|---|---|---|---|-------------|--|---|
|  |  |  |  |  | Bezeichnung | OE-Nummern zu ATE Artikelnummern |  z.B. Vorsachnummern / diverse |
|---|---|---|---|---|-------------|--|---|

AUDI

| | | | | | | | | | |
|-------------------------|-----------------|----|---------|--|----------------|--------|-------------|---------------|--|
| A6 (C6) Limousine (04-) | 2,4 | VR | 04.2004 | | 11.9606-9962.2 | 220656 | FAUSTSATTEL | 8E0 615 124 B | |
| | 2,4 Quattro | VL | 01.2005 | | 11.9606-9961.2 | 220655 | FAUSTSATTEL | 8E0 615 123 B | |
| | | VR | 01.2005 | | 11.9606-9962.2 | 220656 | FAUSTSATTEL | 8E0 615 124 B | |
| | 2,7 TDI | VL | 10.2008 | | 11.9606-9961.2 | 220655 | FAUSTSATTEL | 8E0 615 123 B | |
| | | VL | 11.2004 | | 11.9606-9961.2 | 220655 | FAUSTSATTEL | 8E0 615 123 B | |
| | | VR | 11.2004 | | 11.9606-9962.2 | 220656 | FAUSTSATTEL | 8E0 615 124 B | |
| | | VR | 10.2008 | | 11.9606-9962.2 | 220656 | FAUSTSATTEL | 8E0 615 124 B | |
| | 2,7 TDI Quattro | VR | 10.2008 | | 11.9606-9962.2 | 220656 | FAUSTSATTEL | 8E0 615 124 B | |
| | | VL | 06.2005 | | 11.9606-9961.2 | 220655 | FAUSTSATTEL | 8E0 615 123 B | |
| | | VL | 10.2008 | | 11.9606-9961.2 | 220655 | FAUSTSATTEL | 8E0 615 123 B | |
| | | VL | 11.2004 | | 11.9606-9961.2 | 220655 | FAUSTSATTEL | 8E0 615 123 B | |
| | | VR | 06.2005 | | 11.9606-9962.2 | 220656 | FAUSTSATTEL | 8E0 615 124 B | |
| | | VR | 11.2004 | | 11.9606-9962.2 | 220656 | FAUSTSATTEL | 8E0 615 124 B | |
| | 2,8 FSI | VL | 10.2008 | | 11.9606-9961.2 | 220655 | FAUSTSATTEL | 8E0 615 123 B | |
| | | VL | 11.2006 | | 11.9606-9961.2 | 220655 | FAUSTSATTEL | 8E0 615 123 B | |
| | | VR | 10.2008 | | 11.9606-9962.2 | 220656 | FAUSTSATTEL | 8E0 615 124 B | |
| | | VR | 11.2006 | | 11.9606-9962.2 | 220656 | FAUSTSATTEL | 8E0 615 124 B | |
| | 2,8 FSI Quattro | VR | 10.2008 | | 11.9606-9962.2 | 220656 | FAUSTSATTEL | 8E0 615 124 B | |
| | | VL | 04.2007 | | 11.9606-9961.2 | 220655 | FAUSTSATTEL | 8E0 615 123 B | |



| | | | | | | | |
|---|---|---|---|---|-------------|--|---|
|  |  |  |  |  | Bezeichnung | OE-Nummern zu ATE Artikelnummern |  z.B. Vorsachnummern / diverse |
|---|---|---|---|---|-------------|--|---|

AUDI

| | | | | | | | | | |
|-------------------------|------------------|----|---------|--|----------------|--------|-------------|---------------|--|
| A6 (C6) Limousine (04-) | 2,8 FSI Quattro | VL | 10.2008 | | 11.9606-9961.2 | 220655 | FAUSTSATTEL | 8E0 615 123 B | |
| | | VR | 04.2007 | | 11.9606-9962.2 | 220656 | FAUSTSATTEL | 8E0 615 124 B | |
| | 3 | VL | 04.2004 | | 11.9606-9961.2 | 220655 | FAUSTSATTEL | 8E0 615 123 B | |
| | | VR | 04.2004 | | 11.9606-9962.2 | 220656 | FAUSTSATTEL | 8E0 615 124 B | |
| | 3,0 Quattro | VL | 04.2004 | | 11.9606-9961.2 | 220655 | FAUSTSATTEL | 8E0 615 123 B | |
| | | VR | 04.2004 | | 11.9606-9962.2 | 220656 | FAUSTSATTEL | 8E0 615 124 B | |
| | 3,0 TDI Quattro | VR | 04.2004 | | 11.9606-9962.2 | 220656 | FAUSTSATTEL | 8E0 615 124 B | |
| | | VR | 06.2006 | | 11.9606-9962.2 | 220656 | FAUSTSATTEL | 8E0 615 124 B | |
| | | VR | 10.2008 | | 11.9606-9962.2 | 220656 | FAUSTSATTEL | 8E0 615 124 B | |
| | | VL | 04.2004 | | 11.9606-9961.2 | 220655 | FAUSTSATTEL | 8E0 615 123 B | |
| | | VL | 06.2006 | | 11.9606-9961.2 | 220655 | FAUSTSATTEL | 8E0 615 123 B | |
| | | VL | 10.2008 | | 11.9606-9961.2 | 220655 | FAUSTSATTEL | 8E0 615 123 B | |
| | 3,0 TFSI Quattro | VL | 10.2008 | | 11.9606-9961.2 | 220655 | FAUSTSATTEL | 8E0 615 123 B | |
| | | VR | 10.2008 | | 11.9606-9962.2 | 220656 | FAUSTSATTEL | 8E0 615 124 B | |
| | 3,2 FSI | VL | 04.2004 | | 11.9606-9961.2 | 220655 | FAUSTSATTEL | 8E0 615 123 B | |
| | | VR | 04.2004 | | 11.9606-9962.2 | 220656 | FAUSTSATTEL | 8E0 615 124 B | |
| | 3,2 FSI Quattro | VL | 04.2004 | | 11.9606-9961.2 | 220655 | FAUSTSATTEL | 8E0 615 123 B | |
| | | VR | 04.2004 | | 11.9606-9962.2 | 220656 | FAUSTSATTEL | 8E0 615 124 B | |
| | 4,2 FSI Quattro | VR | 06.2006 | | 11.9606-9962.2 | 220656 | FAUSTSATTEL | 8E0 615 124 B | |



| | | | | | | | | |
|--|--|--|--|--|-------------|--|--|----------------------------------|
| | | | | | Bezeichnung | OE-Nummern zu ATE Artikelnummern | | z.B. Vorsachnummern / diverse |
|--|--|--|--|--|-------------|--|--|----------------------------------|

AUDI

| | | | | | | | | | |
|-------------------------|-----------------|----|---------|--|----------------|--------|-------------|---------------|--|
| A6 (C6) Limousine (04-) | 4,2 FSI Quattro | VL | 06.2006 | | 11.9606-9961.2 | 220655 | FAUSTSATTEL | 8E0 615 123 B | |
| | 4,2 Quattro | VL | 04.2004 | | 11.9606-9961.2 | 220655 | FAUSTSATTEL | 8E0 615 123 B | |
| | | VR | 04.2004 | | 11.9606-9962.2 | 220656 | FAUSTSATTEL | 8E0 615 124 B | |
| A6 Allroad (06-) | 2,7 TDI | VL | 05.2006 | | 11.9606-9961.2 | 220655 | FAUSTSATTEL | 8E0 615 123 B | |
| | | VR | 05.2006 | | 11.9606-9962.2 | 220656 | FAUSTSATTEL | 8E0 615 124 B | |
| | 3,0 TDI | VL | 05.2006 | | 11.9606-9961.2 | 220655 | FAUSTSATTEL | 8E0 615 123 B | |
| | | VR | 05.2006 | | 11.9606-9962.2 | 220656 | FAUSTSATTEL | 8E0 615 124 B | |
| | 3,2 FSI | VL | 05.2006 | | 11.9606-9961.2 | 220655 | FAUSTSATTEL | 8E0 615 123 B | |
| | | VR | 05.2006 | | 11.9606-9962.2 | 220656 | FAUSTSATTEL | 8E0 615 124 B | |
| | 4,2 FSI | VL | 05.2006 | | 11.9606-9961.2 | 220655 | FAUSTSATTEL | 8E0 615 123 B | |
| | | VR | 05.2006 | | 11.9606-9962.2 | 220656 | FAUSTSATTEL | 8E0 615 124 B | |



| | | | | | | | |
|---|---|---|---|---|-------------|--|---|
|  |  |  |  |  | Bezeichnung | OE-Nummern zu ATE Artikelnummern |  z.B. Vorsachnummern / diverse |
|---|---|---|---|---|-------------|--|---|

CITROEN

| | | | | | | | | | |
|-------------------------|-----------|--|---------|--|----------------|--------|-----------|-----------------------------|--|
| BERLINGO (B9) (08-) | 1,4 i | | 04.2008 | | 13.0460-7254.2 | 607254 | BELAGSATZ | 4254 12 , 4254 13 | |
| | | | 04.2008 | | 13.0460-2745.2 | 602745 | BELAGSATZ | 4254 14 , 4254 29 , 4254 15 | |
| | | | 04.2008 | | 13.0460-7254.2 | 607254 | BELAGSATZ | 4254 12 , 4254 13 | |
| | | | 04.2008 | | 13.0460-2745.2 | 602745 | BELAGSATZ | 4254 14 , 4254 29 , 4254 15 | |
| | 1,6 HDi | | 04.2008 | | 13.0460-2745.2 | 602745 | BELAGSATZ | 4254 14 , 4254 29 , 4254 15 | |
| | | | 04.2008 | | 13.0460-2745.2 | 602745 | BELAGSATZ | 4254 14 , 4254 29 , 4254 15 | |
| | | | 04.2008 | | 13.0460-7254.2 | 607254 | BELAGSATZ | 4254 12 , 4254 13 | |
| | | | 04.2008 | | 13.0460-7254.2 | 607254 | BELAGSATZ | 4254 12 , 4254 13 | |
| | 1,6 i 16V | | 04.2008 | | 13.0460-2745.2 | 602745 | BELAGSATZ | 4254 14 , 4254 29 , 4254 15 | |
| | | | 04.2008 | | 13.0460-2745.2 | 602745 | BELAGSATZ | 4254 14 , 4254 29 , 4254 15 | |
| | | | 04.2008 | | 13.0460-7254.2 | 607254 | BELAGSATZ | 4254 12 , 4254 13 | |
| | | | 04.2008 | | 13.0460-7254.2 | 607254 | BELAGSATZ | 4254 12 , 4254 13 | |
| C5 III Kombi (X7) (08-) | 1,6 HDi | | 02.2008 | | 13.0460-7252.2 | 607252 | BELAGSATZ | 4254 03 | |
| | | | 02.2008 | | 13.0460-7253.2 | 607253 | BELAGSATZ | 4254 05 | |
| | 1,8 16V | | 02.2008 | | 13.0460-7253.2 | 607253 | BELAGSATZ | 4254 05 | |
| | | | 02.2008 | | 13.0460-7252.2 | 607252 | BELAGSATZ | 4254 03 | |
| | 2,0 16V | | 02.2008 | | 13.0460-7252.2 | 607252 | BELAGSATZ | 4254 03 | |
| | | | 02.2008 | | 13.0460-7253.2 | 607253 | BELAGSATZ | 4254 05 | |
| | 2,0 HDi | | 02.2008 | | 13.0460-7252.2 | 607252 | BELAGSATZ | 4254 03 | |



| | | | | | | | |
|---|---|---|---|---|-------------|--|---|
|  |  |  |  |  | Bezeichnung | OE-Nummern zu ATE Artikelnummern |  z.B. Vorsachnummern / diverse |
|---|---|---|---|---|-------------|--|---|

CITROEN

| | | | | | | | | | |
|-----------------------------|-------------|----|---------|--|----------------|--------|----------------|----------------------|--|
| C5 III Kombi (X7) (08-) | 2,0 HDi | | 02.2008 | | 13.0460-7253.2 | 607253 | BELAGSATZ | 4254 05 | |
| | 2,2 HDi 170 | | 02.2008 | | 13.0460-7253.2 | 607253 | BELAGSATZ | 4254 05 | |
| | 2,7 HDi V6 | | 02.2008 | | 13.0460-7253.2 | 607253 | BELAGSATZ | 4254 05 | |
| | 3,0 V6 | | 02.2008 | | 13.0460-7253.2 | 607253 | BELAGSATZ | 4254 05 | |
| C5 III Limousine (X7) (08-) | 1,6 HDi | | 02.2008 | | 13.0460-7253.2 | 607253 | BELAGSATZ | 4254 05 | |
| | | | 02.2008 | | 13.0460-7252.2 | 607252 | BELAGSATZ | 4254 03 | |
| | 1,8 i 16V | | 02.2008 | | 13.0460-7253.2 | 607253 | BELAGSATZ | 4254 05 | |
| | | | 02.2008 | | 13.0460-7252.2 | 607252 | BELAGSATZ | 4254 03 | |
| | 2,0 HDi | | 02.2008 | | 13.0460-7253.2 | 607253 | BELAGSATZ | 4254 05 | |
| | | | 02.2008 | | 13.0460-7252.2 | 607252 | BELAGSATZ | 4254 03 | |
| | 2,0 i 16V | | 02.2008 | | 13.0460-7253.2 | 607253 | BELAGSATZ | 4254 05 | |
| | | | 02.2008 | | 13.0460-7252.2 | 607252 | BELAGSATZ | 4254 03 | |
| | 2,2 HDi 170 | | 02.2008 | | 13.0460-7253.2 | 607253 | BELAGSATZ | 4254 05 | |
| | 2,7 HDi | | 02.2008 | | 13.0460-7253.2 | 607253 | BELAGSATZ | 4254 05 | |
| | 3 | | 02.2008 | | 13.0460-7253.2 | 607253 | BELAGSATZ | 4254 05 | |
| | 3,0 i V6 | | 02.2008 | | 13.0460-7253.2 | 607253 | BELAGSATZ | 4254 05 | |
| C8 (02-) | 2,0 16V | LH | | | 24.3727-0849.2 | 580849 | HANDBREMSESEIL | 4745 Y6 , 4745 Y7 | |
| | | LH | 07.2002 | | 24.3727-0847.2 | 580847 | HANDBREMSESEIL | 1487274080 , 4745 T6 | |
| | | LH | 09.2005 | | 24.3727-0847.2 | 580847 | HANDBREMSESEIL | 1487274080 , 4745 T6 | |



| | | | | | | | | |
|--|--|--|--|--|-------------|--|--|----------------------------------|
| | | | | | Bezeichnung | OE-Nummern zu ATE Artikelnummern | | z.B. Vorsachnummern / diverse |
|--|--|--|--|--|-------------|--|--|----------------------------------|

CITROEN

| | | | | | | | | | |
|----------|---------|----|---------|--|----------------|--------|---------------|----------------------|--|
| C8 (02-) | 2,0 HDi | LH | 02.2007 | | 24.3727-0847.2 | 580847 | HANDBREMSSEIL | 1487274080 , 4745 T6 | |
| | | LH | 03.2006 | | 24.3727-0847.2 | 580847 | HANDBREMSSEIL | 1487274080 , 4745 T6 | |
| | | LH | 07.2002 | | 24.3727-0847.2 | 580847 | HANDBREMSSEIL | 1487274080 , 4745 T6 | |
| | | LH | | | 24.3727-0849.2 | 580849 | HANDBREMSSEIL | 4745 Y6 , 4745 Y7 | |
| | 2,2 16V | LH | 07.2002 | | 24.3727-0847.2 | 580847 | HANDBREMSSEIL | 1487274080 , 4745 T6 | |
| | | LH | | | 24.3727-0849.2 | 580849 | HANDBREMSSEIL | 4745 Y6 , 4745 Y7 | |
| | 2,2 HDi | LH | 07.2002 | | 24.3727-0847.2 | 580847 | HANDBREMSSEIL | 1487274080 , 4745 T6 | |
| | | LH | 10.2007 | | 24.3727-0847.2 | 580847 | HANDBREMSSEIL | 1487274080 , 4745 T6 | |
| | | LH | | | 24.3727-0849.2 | 580849 | HANDBREMSSEIL | 4745 Y6 , 4745 Y7 | |
| | 3,0 V6 | LH | 07.2002 | | 24.3727-0847.2 | 580847 | HANDBREMSSEIL | 1487274080 , 4745 T6 | |
| | | LH | | | 24.3727-0849.2 | 580849 | HANDBREMSSEIL | 4745 Y6 , 4745 Y7 | |

DAIHATSU

| | | | | | | | | | |
|--------------|--------------|--|---------|--|----------------|--------|-----------|-----------------|--|
| TERIOS (05-) | 1,3 DVVT | | 11.2005 | | 03.0137-0492.2 | 650492 | TBB.-SATZ | 04495-B4050-000 | |
| | 1,3 DVVT 4x4 | | 11.2005 | | 03.0137-0492.2 | 650492 | TBB.-SATZ | 04495-B4050-000 | |
| | 1,5 16V 4WD | | 05.2006 | | 03.0137-0492.2 | 650492 | TBB.-SATZ | 04495-B4050-000 | |
| | 1,5 DVVT | | 11.2005 | | 03.0137-0492.2 | 650492 | TBB.-SATZ | 04495-B4050-000 | |



| | | | | | | | | |
|--|--|--|--|--|-------------|--|--|----------------------------------|
| | | | | | Bezeichnung | OE-Nummern zu ATE Artikelnummern | | z.B. Vorsachnummern / diverse |
|--|--|--|--|--|-------------|--|--|----------------------------------|

FIAT

| | | | | | | | | | |
|-----------------|-------------------|----|---------|--|----------------|--------|---------------|--------------------------------------|--|
| PANDA (03-) | 1,3 JTD 4x4 | | 10.2004 | | 13.0460-3850.2 | 603850 | BELAGSATZ | 77364517 | |
| | 1,4 i 16V | | 11.2006 | | 13.0460-3850.2 | 603850 | BELAGSATZ | 77364517 | |
| PANDA SUV (06-) | 1,3 JTD 4x4 Cross | | 04.2006 | | 13.0460-3850.2 | 603850 | BELAGSATZ | 77364517 | |
| SEDICI (06-) | 1,6 i 16V | | 04.2006 | | 03.0137-0490.2 | 650490 | TBB.-SATZ | 71742832 , 71747587 , 53200-79J00 | |
| | 1,9 JTD | | 04.2006 | | 03.0137-0490.2 | 650490 | TBB.-SATZ | 71742832 , 71747587 , 53200-79J00 | |
| ULYSSE (02-) | 2,0 i 16V | LH | 08.2002 | | 24.3727-0847.2 | 580847 | HANDBREMSSEIL | 1487274080 , 4745 T6 | |
| | 2,0 JTD | LH | 08.2002 | | 24.3727-0847.2 | 580847 | HANDBREMSSEIL | 1487274080 , 4745 T6 | |
| | 2,2 JTD | LH | 08.2002 | | 24.3727-0847.2 | 580847 | HANDBREMSSEIL | 1487274080 , 4745 T6 | |
| | 3,0 i V6 | LH | 08.2002 | | 24.3727-0847.2 | 580847 | HANDBREMSSEIL | 1487274080 , 4745 T6 | |

FORD

| | | | | | | | | | |
|---------------|-----------|--|---------|--|----------------|--------|--------------|-------------------|--|
| TRANSIT (06-) | 2,2 TDCi | | 05.2006 | | 24.0128-0156.1 | 428156 | BREMSSCHEIBE | 1503290 , 1371394 | |
| | 2,3 i 16V | | 05.2006 | | 24.0128-0156.1 | 428156 | BREMSSCHEIBE | 1503290 , 1371394 | |
| | 2,4 DI | | 05.2006 | | 24.0128-0156.1 | 428156 | BREMSSCHEIBE | 1503290 , 1371394 | |
| | 2,4 TDCi | | 05.2006 | | 24.0128-0156.1 | 428156 | BREMSSCHEIBE | 1503290 , 1371394 | |



| | | | | | | | | |
|--|--|--|--|--|-------------|--|--|----------------------------------|
| | | | | | Bezeichnung | OE-Nummern zu ATE Artikelnummern | | z.B. Vorsachnummern / diverse |
|--|--|--|--|--|-------------|--|--|----------------------------------|

HONDA

| | | | | | | | | | |
|----------------|-----------------|----|---------|---------|----------------|--------|-------------|---------------|--|
| CR-V I (97-02) | 2,0 i 16V (RD1) | HR | 04.1999 | 02.2002 | 24.3220-1734.3 | 020516 | RADZYLINDER | 43300-S10-003 | |
| | | HL | 04.1999 | 02.2002 | 24.3220-1733.3 | 020515 | RADZYLINDER | 43301-S10-003 | |
| | | HL | 01.1997 | 04.1999 | 24.3220-1733.3 | 020515 | RADZYLINDER | 43301-S10-003 | |
| | | HR | 01.1997 | 04.1999 | 24.3220-1734.3 | 020516 | RADZYLINDER | 43300-S10-003 | |
| HR-V (99-05) | 1,6 i 16V | HR | 02.1999 | 09.2005 | 24.3220-1734.3 | 020516 | RADZYLINDER | 43300-S10-003 | |
| | | HL | 02.1999 | 09.2005 | 24.3220-1733.3 | 020515 | RADZYLINDER | 43301-S10-003 | |
| | 1,6 i 16V 4WD | HL | 10.1999 | 09.2005 | 24.3220-1733.3 | 020515 | RADZYLINDER | 43301-S10-003 | |
| | | HR | 02.1999 | 09.2005 | 24.3220-1734.3 | 020516 | RADZYLINDER | 43300-S10-003 | |
| | | HR | 10.1999 | 09.2005 | 24.3220-1734.3 | 020516 | RADZYLINDER | 43300-S10-003 | |
| | | HL | 02.1999 | 09.2005 | 24.3220-1733.3 | 020515 | RADZYLINDER | 43301-S10-003 | |

HYUNDAI

| | | | | | | | | | |
|----------------|--------------|--|---------|---------|----------------|--------|-----------|-------------|--|
| TERRACAN (01-) | 2,5 TDiC | | 12.2001 | | 03.0137-3014.2 | 653014 | TBB.-SATZ | 58350-H1A40 | |
| | | | 06.2001 | 10.2003 | 03.0137-3014.2 | 653014 | TBB.-SATZ | 58350-H1A40 | |
| | 2,9 CRDi | | 11.2003 | | 03.0137-3014.2 | 653014 | TBB.-SATZ | 58350-H1A40 | |
| | | | 12.2001 | | 03.0137-3014.2 | 653014 | TBB.-SATZ | 58350-H1A40 | |
| | | | 11.2001 | 07.2003 | 03.0137-3014.2 | 653014 | TBB.-SATZ | 58350-H1A40 | |
| | 3,5 i V6 4WD | | 12.2001 | | 03.0137-3014.2 | 653014 | TBB.-SATZ | 58350-H1A40 | |



| | | | | | | | |
|--|----------|--|--|--|-------------|--|--|
| | i | | | | Bezeichnung | OE-Nummern zu ATE Artikelnummern | i z.B. Vorsachnummern / diverse |
|--|----------|--|--|--|-------------|--|--|

LANCIA

| | | | | | | | | | |
|--------------|-----------|----|---------|--|----------------|--------|----------------|----------------------|--|
| PHEDRA (02-) | 2,0 i 16V | LH | 08.2002 | | 24.3727-0847.2 | 580847 | HANDBREMSESEIL | 1487274080 , 4745 T6 | |
| | 2,0 JTD | LH | 08.2002 | | 24.3727-0847.2 | 580847 | HANDBREMSESEIL | 1487274080 , 4745 T6 | |
| | 2,2 JTD | LH | 08.2002 | | 24.3727-0847.2 | 580847 | HANDBREMSESEIL | 1487274080 , 4745 T6 | |
| | | LH | 03.2008 | | 24.3727-0847.2 | 580847 | HANDBREMSESEIL | 1487274080 , 4745 T6 | |
| | 3,0 i V6 | LH | 08.2002 | | 24.3727-0847.2 | 580847 | HANDBREMSESEIL | 1487274080 , 4745 T6 | |

LAND ROVER

| | | | | | | | | | |
|-------------------------|-----------|--|---------|--|----------------|--------|--------------|--------------------------------------|--|
| DISCOVERY III (04-) | 2,7 TD | | 10.2004 | | 24.0120-0210.1 | 420210 | BREMSSCHEIBE | SDB000634 , SDB000635 , SDB000636 | |
| | 4 | | 02.2005 | | 24.0120-0210.1 | 420210 | BREMSSCHEIBE | SDB000634 , SDB000635 , SDB000636 | |
| RANGE ROVER SPORT (05-) | 2,7 TD V6 | | 02.2005 | | 24.0120-0210.1 | 420210 | BREMSSCHEIBE | SDB000634 , SDB000635 , SDB000636 | |



| | | | | | | |
|---|---|---|---|-------------|--|--|
|  |  |   |  | Bezeichnung | OE-Nummern zu ATE Artikelnummern |  z.B. Vorsachnummern / diverse |
|---|---|---|---|-------------|--|--|

MAZDA

| | | | | | | | | | |
|--------------|------------------|--|---------|---------|----------------|--------|-----------|---|--|
| MX-5 (89-98) | 1,6 i (NA1) | | 01.1995 | 04.1998 | 13.0460-5865.2 | 605865 | BELAGSATZ | NAY5-26-43Z , NAY5-26-43ZA , NAY5-26-43ZB , NOY8-26-43Z , NCY5-26-43ZA , NCY1-26-43Z , NOY8-26-43ZA | |
| | | | 08.1989 | 08.1993 | 13.0460-5865.2 | 605865 | BELAGSATZ | NAY5-26-43Z , NAY5-26-43ZA , NAY5-26-43ZB , NOY8-26-43Z , NCY5-26-43ZA , NCY1-26-43Z , NOY8-26-43ZA | |
| | 1,8 i (NA1) | | 09.1993 | 04.1998 | 13.0460-5865.2 | 605865 | BELAGSATZ | NAY5-26-43Z , NAY5-26-43ZA , NAY5-26-43ZB , NOY8-26-43Z , NCY5-26-43ZA , NCY1-26-43Z , NOY8-26-43ZA | |
| MX-5 (98-05) | 1,6 i 16V (NB1) | | 05.1998 | 07.2000 | 13.0460-5865.2 | 605865 | BELAGSATZ | NAY5-26-43Z , NAY5-26-43ZA , NAY5-26-43ZB , NOY8-26-43Z , NCY5-26-43ZA , NCY1-26-43Z , NOY8-26-43ZA | |
| | 1,6 i 16V (NB18) | | 05.1998 | 10.2005 | 13.0460-5865.2 | 605865 | BELAGSATZ | NAY5-26-43Z , NAY5-26-43ZA , NAY5-26-43ZB , NOY8-26-43Z , NCY5-26-43ZA , NCY1-26-43Z , NOY8-26-43ZA | |
| | 1,8 i 16V (NB1) | | 05.1998 | 07.2000 | 13.0460-5865.2 | 605865 | BELAGSATZ | NAY5-26-43Z , NAY5-26-43ZA , NAY5-26-43ZB , NOY8-26-43Z , NCY5-26-43ZA , NCY1-26-43Z , NOY8-26-43ZA | |



| | | | | | | | | |
|--|--|--|--|--|-------------|--|--|----------------------------------|
| | | | | | Bezeichnung | OE-Nummern zu ATE Artikelnummern | | z.B. Vorsachnummern / diverse |
|--|--|--|--|--|-------------|--|--|----------------------------------|

MERCEDES BENZ

| | | | | | | | | | |
|---------------------------------|------------------|--|---------|--|----------------|--------|-----------|-------------------------------|--|
| C-Klasse (S204) Kombi (07-) | C 180 Kompressor | | 09.2007 | | 13.0460-2733.2 | 602733 | BELAGSATZ | 005 420 09 20 | |
| | | | 09.2007 | | 13.0460-2732.2 | 602732 | BELAGSATZ | 005 420 08 20 , 005 420 15 20 | |
| | C 200 CDI | | 09.2007 | | 13.0460-2732.2 | 602732 | BELAGSATZ | 005 420 08 20 , 005 420 15 20 | |
| | | | 09.2007 | | 13.0460-2733.2 | 602733 | BELAGSATZ | 005 420 09 20 | |
| | C 200 Kompressor | | 09.2007 | | 13.0460-2732.2 | 602732 | BELAGSATZ | 005 420 08 20 , 005 420 15 20 | |
| | C 220 CDI | | 09.2007 | | 13.0460-2732.2 | 602732 | BELAGSATZ | 005 420 08 20 , 005 420 15 20 | |
| | C 230 | | 09.2007 | | 13.0460-2732.2 | 602732 | BELAGSATZ | 005 420 08 20 , 005 420 15 20 | |
| | C 280 | | 09.2007 | | 13.0460-2732.2 | 602732 | BELAGSATZ | 005 420 08 20 , 005 420 15 20 | |
| C-Klasse (W204) Limousine (07-) | C 180 Kompressor | | 03.2007 | | 13.0460-2732.2 | 602732 | BELAGSATZ | 005 420 08 20 , 005 420 15 20 | |
| | | | 03.2007 | | 13.0460-2733.2 | 602733 | BELAGSATZ | 005 420 09 20 | |
| | C 200 CDI | | 03.2007 | | 13.0460-2732.2 | 602732 | BELAGSATZ | 005 420 08 20 , 005 420 15 20 | |
| | | | 03.2007 | | 13.0460-2733.2 | 602733 | BELAGSATZ | 005 420 09 20 | |
| | C 200 Kompressor | | 03.2007 | | 13.0460-2732.2 | 602732 | BELAGSATZ | 005 420 08 20 , 005 420 15 20 | |
| | C 220 CDI | | 03.2007 | | 13.0460-2732.2 | 602732 | BELAGSATZ | 005 420 08 20 , 005 420 15 20 | |



| | | | | | | | |
|---|---|---|---|---|-------------|--|---|
|  |  |  |  |  | Bezeichnung | OE-Nummern zu ATE Artikelnummern |  z.B. Vorsachnummern / diverse |
|---|---|---|---|---|-------------|--|---|

MERCEDES BENZ

| | | | | | | | | | |
|---------------------------------|-------------------|--|---------|--|----------------|--------|-----------|-------------------------------|--|
| C-Klasse (W204) Limousine (07-) | C 230 | | 03.2007 | | 13.0460-2732.2 | 602732 | BELAGSATZ | 005 420 08 20 , 005 420 15 20 | |
| | C 230 4-Matic | | 07.2007 | | 13.0460-2732.2 | 602732 | BELAGSATZ | 005 420 08 20 , 005 420 15 20 | |
| | C 280 | | 03.2007 | | 13.0460-2732.2 | 602732 | BELAGSATZ | 005 420 08 20 , 005 420 15 20 | |
| | C 280 4-Matic | | 07.2007 | | 13.0460-2732.2 | 602732 | BELAGSATZ | 005 420 08 20 , 005 420 15 20 | |
| CL-Klasse (C216) Coupe (06-) | CL 500 | | 07.2006 | | 03.0137-4006.2 | 654006 | TBB.-SATZ | 221 420 05 20 | |
| | CL 500 4 Matic | | 03.2008 | | 03.0137-4006.2 | 654006 | TBB.-SATZ | 221 420 05 20 | |
| | CL 600 | | 07.2006 | | 03.0137-4006.2 | 654006 | TBB.-SATZ | 221 420 05 20 | |
| | CL 63 AMG | | 01.2007 | | 03.0137-4006.2 | 654006 | TBB.-SATZ | 221 420 05 20 | |
| | CL 65 AMG | | 01.2007 | | 03.0137-4006.2 | 654006 | TBB.-SATZ | 221 420 05 20 | |
| S-Klasse (W221) (06-) | S 280 | | 04.2006 | | 03.0137-4006.2 | 654006 | TBB.-SATZ | 221 420 05 20 | |
| | S 320 CDI | | 12.2005 | | 03.0137-4006.2 | 654006 | TBB.-SATZ | 221 420 05 20 | |
| | S 320 CDI 4-Matic | | 05.2006 | | 03.0137-4006.2 | 654006 | TBB.-SATZ | 221 420 05 20 | |
| | S 350 | | 12.2005 | | 03.0137-4006.2 | 654006 | TBB.-SATZ | 221 420 05 20 | |
| | S 350 4-Matic | | 02.2007 | | 03.0137-4006.2 | 654006 | TBB.-SATZ | 221 420 05 20 | |
| | S 420 CDI | | 04.2006 | | 03.0137-4006.2 | 654006 | TBB.-SATZ | 221 420 05 20 | |
| | S 450 | | 04.2006 | | 03.0137-4006.2 | 654006 | TBB.-SATZ | 221 420 05 20 | |
| | S 450 4-Matic | | 04.2006 | | 03.0137-4006.2 | 654006 | TBB.-SATZ | 221 420 05 20 | |
| | S 500 | | 12.2005 | | 03.0137-4006.2 | 654006 | TBB.-SATZ | 221 420 05 20 | |



| | | | | | | | |
|---|---|---|---|---|-------------|--|---|
|  |  |  |  |  | Bezeichnung | OE-Nummern zu ATE Artikelnummern |  z.B. Vorsachnummern / diverse |
|---|---|---|---|---|-------------|--|---|

MERCEDES BENZ

| | | | | | | | | | |
|--------------------------|---------------|----|---------|---------|----------------|--------|----------------|---------------|--|
| S-Klasse (W221) (06-) | S 500 4-Matic | | 04.2006 | | 03.0137-4006.2 | 654006 | TBB.-SATZ | 221 420 05 20 | |
| | S 600 | | 12.2005 | | 03.0137-4006.2 | 654006 | TBB.-SATZ | 221 420 05 20 | |
| | S 63 AMG | | 01.2007 | | 03.0137-4006.2 | 654006 | TBB.-SATZ | 221 420 05 20 | |
| | S 65 AMG | | 04.2006 | | 03.0137-4006.2 | 654006 | TBB.-SATZ | 221 420 05 20 | |
| SL-Klasse (R129) (93-01) | SL 500 | | 06.1998 | 09.2001 | 24.0132-0147.1 | 432147 | BREMSSCHEIBE | 129 421 23 12 | |
| VIANO (BM639) (03-) | 2,0 CDI | LH | 08.2003 | | 24.3727-0453.2 | 580453 | HANDBREMSESEIL | 639 427 04 38 | |
| | | RH | 08.2003 | | 24.3727-0454.2 | 580454 | HANDBREMSESEIL | 639 427 05 38 | |
| | 2,2 CDI | LH | 08.2003 | | 24.3727-0453.2 | 580453 | HANDBREMSESEIL | 639 427 04 38 | |
| | | RH | 08.2003 | | 24.3727-0454.2 | 580454 | HANDBREMSESEIL | 639 427 05 38 | |
| | 3 | RH | 08.2003 | | 24.3727-0454.2 | 580454 | HANDBREMSESEIL | 639 427 05 38 | |
| | | LH | 08.2003 | | 24.3727-0453.2 | 580453 | HANDBREMSESEIL | 639 427 04 38 | |
| | 3,0 CDI | RH | 03.2006 | | 24.3727-0454.2 | 580454 | HANDBREMSESEIL | 639 427 05 38 | |
| | | LH | 03.2006 | | 24.3727-0453.2 | 580453 | HANDBREMSESEIL | 639 427 04 38 | |
| | 3,2 | RH | 08.2003 | | 24.3727-0454.2 | 580454 | HANDBREMSESEIL | 639 427 05 38 | |
| | | LH | 08.2003 | | 24.3727-0453.2 | 580453 | HANDBREMSESEIL | 639 427 04 38 | |
| | 3,5 | RH | 06.2004 | | 24.3727-0454.2 | 580454 | HANDBREMSESEIL | 639 427 05 38 | |
| | | RH | 09.2007 | | 24.3727-0454.2 | 580454 | HANDBREMSESEIL | 639 427 05 38 | |
| | | LH | 09.2007 | | 24.3727-0453.2 | 580453 | HANDBREMSESEIL | 639 427 04 38 | |
| | | LH | 06.2004 | | 24.3727-0453.2 | 580453 | HANDBREMSESEIL | 639 427 04 38 | |



| | | | | | | | |
|---|---|---|---|---|-------------|--|---|
|  |  |  |  |  | Bezeichnung | OE-Nummern zu ATE Artikelnummern |  z.B. Vorsachnummern / diverse |
|---|---|---|---|---|-------------|--|---|

MERCEDES BENZ

| | | | | | | | | | |
|--------------------|---------|----|---------|--|----------------|--------|---------------|---------------|--|
| VITO (BM639) (03-) | 109 CDI | RH | 08.2003 | | 24.3727-0454.2 | 580454 | HANDBREMSSEIL | 639 427 05 38 | |
| | | LH | 08.2003 | | 24.3727-0453.2 | 580453 | HANDBREMSSEIL | 639 427 04 38 | |
| | 111 CDI | LH | 08.2003 | | 24.3727-0453.2 | 580453 | HANDBREMSSEIL | 639 427 04 38 | |
| | | RH | 08.2003 | | 24.3727-0454.2 | 580454 | HANDBREMSSEIL | 639 427 05 38 | |
| | 115 CDI | LH | 08.2003 | | 24.3727-0453.2 | 580453 | HANDBREMSSEIL | 639 427 04 38 | |
| | | RH | 08.2003 | | 24.3727-0454.2 | 580454 | HANDBREMSSEIL | 639 427 05 38 | |
| | 119 | LH | 08.2003 | | 24.3727-0453.2 | 580453 | HANDBREMSSEIL | 639 427 04 38 | |
| | | RH | 08.2003 | | 24.3727-0454.2 | 580454 | HANDBREMSSEIL | 639 427 05 38 | |
| | 122 | LH | 08.2003 | | 24.3727-0453.2 | 580453 | HANDBREMSSEIL | 639 427 04 38 | |
| | | RH | 08.2003 | | 24.3727-0454.2 | 580454 | HANDBREMSSEIL | 639 427 05 38 | |
| | 123 | LH | 06.2004 | | 24.3727-0453.2 | 580453 | HANDBREMSSEIL | 639 427 04 38 | |
| | | RH | 06.2004 | | 24.3727-0454.2 | 580454 | HANDBREMSSEIL | 639 427 05 38 | |
| | | RH | 09.2007 | | 24.3727-0454.2 | 580454 | HANDBREMSSEIL | 639 427 05 38 | |
| | | LH | 09.2007 | | 24.3727-0453.2 | 580453 | HANDBREMSSEIL | 639 427 04 38 | |



| | | | | | | | |
|---|---|---|---|---|-------------|--|---|
|  |  |  |  |  | Bezeichnung | OE-Nummern zu ATE Artikelnummern |  z.B. Vorsachnummern / diverse |
|---|---|---|---|---|-------------|--|---|

MG

| | | | | | | | | | |
|------------|--------|--|---------|---------|----------------|--------|--------------|-----------|--|
| ZR (01-05) | 160 | | 06.2001 | 12.2005 | 24.0110-0326.1 | 410326 | BREMSSCHEIBE | SDB000290 | |
| ZS (01-05) | 120 | | 07.2001 | 12.2005 | 24.0110-0326.1 | 410326 | BREMSSCHEIBE | SDB000290 | |
| | 180 | | 07.2001 | 12.2005 | 24.0110-0326.1 | 410326 | BREMSSCHEIBE | SDB000290 | |
| | 2,0 TD | | 01.2004 | 12.2005 | 24.0110-0326.1 | 410326 | BREMSSCHEIBE | SDB000290 | |



| | | | | | | | |
|---|---|---|---|---|-------------|--|---|
|  |  |  |  |  | Bezeichnung | OE-Nummern zu ATE Artikelnummern |  z.B. Vorsachnummern / diverse |
|---|---|---|---|---|-------------|--|---|

MITSUBISHI

| | | | | | | | | | |
|---------------|-------------------|----|---------|---------|----------------|--------|-------------|----------|--|
| L 200 (92-96) | 2,0 (K12T) | VL | 07.1992 | 08.1996 | 24.3571-1737.5 | 240387 | FAUSTSATTEL | MB534318 | |
| | | VR | 07.1992 | 08.1996 | 24.3571-1738.5 | 240388 | FAUSTSATTEL | MB534319 | |
| L 300 (86-94) | 1,6 (P02V) | VL | 11.1988 | 05.1994 | 24.3571-1737.5 | 240387 | FAUSTSATTEL | MB534318 | |
| | | VR | 11.1988 | 05.1994 | 24.3571-1738.5 | 240388 | FAUSTSATTEL | MB534319 | |
| | 1,6 (P12V) | VR | 11.1988 | 05.1994 | 24.3571-1738.5 | 240388 | FAUSTSATTEL | MB534319 | |
| | | VL | 11.1988 | 05.1994 | 24.3571-1737.5 | 240387 | FAUSTSATTEL | MB534318 | |
| | 2,0 (P03V) | VR | 11.1986 | 05.1994 | 24.3571-1738.5 | 240388 | FAUSTSATTEL | MB534319 | |
| | | VL | 11.1986 | 05.1994 | 24.3571-1737.5 | 240387 | FAUSTSATTEL | MB534318 | |
| | 2,0 (P03W) | VL | 11.1986 | 05.1994 | 24.3571-1737.5 | 240387 | FAUSTSATTEL | MB534318 | |
| | | VR | 11.1986 | 05.1994 | 24.3571-1738.5 | 240388 | FAUSTSATTEL | MB534319 | |
| | 2,0 (P13V) | VL | 11.1986 | 05.1994 | 24.3571-1737.5 | 240387 | FAUSTSATTEL | MB534318 | |
| | | VR | 11.1986 | 05.1994 | 24.3571-1738.5 | 240388 | FAUSTSATTEL | MB534319 | |
| | 2,4 (P04V/W/P14V) | VR | 11.1990 | 05.1994 | 24.3571-1738.5 | 240388 | FAUSTSATTEL | MB534319 | |
| | | VL | 11.1990 | 05.1994 | 24.3571-1737.5 | 240387 | FAUSTSATTEL | MB534318 | |
| | 2,5 D (P05V/W) | VL | 11.1986 | 05.1994 | 24.3571-1737.5 | 240387 | FAUSTSATTEL | MB534318 | |
| | | VR | 11.1986 | 05.1994 | 24.3571-1738.5 | 240388 | FAUSTSATTEL | MB534319 | |
| | 2,5 D (P15V) | VR | 11.1986 | 05.1994 | 24.3571-1738.5 | 240388 | FAUSTSATTEL | MB534319 | |
| | | VL | 11.1986 | 05.1994 | 24.3571-1737.5 | 240387 | FAUSTSATTEL | MB534318 | |



| | | | | | | | |
|---|---|---|---|---|-------------|--|---|
|  |  |  |  |  | Bezeichnung | OE-Nummern zu ATE Artikelnummern |  z.B. Vorsachnummern / diverse |
|---|---|---|---|---|-------------|--|---|

NISSAN

| | | | | | | | | |
|---|----------------|----|---------|---------|----------------|--------|---------------|---------------------------|
| ALMERA (N16) (00-) | 1,5 dCi | LH | 01.2003 | | 24.3727-1724.2 | 581724 | HANDBREMSSEIL | 36531-BM700 , 36531-BN80A |
| | 1,5 i | LH | 02.2000 | | 24.3727-1724.2 | 581724 | HANDBREMSSEIL | 36531-BM700 , 36531-BN80A |
| | | LH | 10.2002 | | 24.3727-1724.2 | 581724 | HANDBREMSSEIL | 36531-BM700 , 36531-BN80A |
| | 1,8 i | LH | 10.2002 | | 24.3727-1724.2 | 581724 | HANDBREMSSEIL | 36531-BM700 , 36531-BN80A |
| | | LH | 02.2000 | | 24.3727-1724.2 | 581724 | HANDBREMSSEIL | 36531-BM700 , 36531-BN80A |
| | 2,2 dCi | LH | 09.2003 | | 24.3727-1724.2 | 581724 | HANDBREMSSEIL | 36531-BM700 , 36531-BN80A |
| | 2,2 Di | LH | 02.2000 | | 24.3727-1724.2 | 581724 | HANDBREMSSEIL | 36531-BM700 , 36531-BN80A |
| QASHQAI (J10E) (07-) | 1,5 dCi | | 02.2007 | | 03.0137-3012.2 | 653012 | TBB.-SATZ | 44060-CY025 |
| | 1,6 | | 02.2007 | | 03.0137-3012.2 | 653012 | TBB.-SATZ | 44060-CY025 |
| | 2 | | 02.2007 | | 03.0137-3012.2 | 653012 | TBB.-SATZ | 44060-CY025 |
| | 2,0 Allrad | | 02.2007 | | 03.0137-3012.2 | 653012 | TBB.-SATZ | 44060-CY025 |
| | 2,0 dCi | | 02.2007 | | 03.0137-3012.2 | 653012 | TBB.-SATZ | 44060-CY025 |
| | 2,0 dCi Allrad | | 02.2007 | | 03.0137-3012.2 | 653012 | TBB.-SATZ | 44060-CY025 |
| SERENA/VANETTE CARGO (C23M/963) (92-01) | 1,6 i 16V | LH | 06.1994 | 11.2001 | 24.3727-1727.2 | 581727 | HANDBREMSSEIL | 36531-9C005 , 36531-9C006 |
| | | RH | 06.1994 | 11.2001 | 24.3727-1726.2 | 581726 | HANDBREMSSEIL | 36530-9C005 , 36530-9C006 |
| | 2,0 D | RH | 06.1994 | 08.1994 | 24.3727-1726.2 | 581726 | HANDBREMSSEIL | 36530-9C005 , 36530-9C006 |
| | | LH | 06.1994 | 08.1994 | 24.3727-1727.2 | 581727 | HANDBREMSSEIL | 36531-9C005 , 36531-9C006 |
| | 2,3 D | RH | 09.1994 | 11.2001 | 24.3727-1726.2 | 581726 | HANDBREMSSEIL | 36530-9C005 , 36530-9C006 |
| | | LH | 09.1994 | 11.2001 | 24.3727-1727.2 | 581727 | HANDBREMSSEIL | 36531-9C005 , 36531-9C006 |



| | | | | | | |
|--|----------|--|--|-------------|--|--|
| | i | | | Bezeichnung | OE-Nummern zu ATE Artikelnummern | i z.B. Vorsachnummern / diverse |
|--|----------|--|--|-------------|--|--|

NISSAN

| | | | | | | | | | |
|---------------------|---------|--|---------|--|----------------|--------|-----------|-------------|--|
| X-TRAIL (T31) (07-) | 2 | | 06.2007 | | 03.0137-3012.2 | 653012 | TBB.-SATZ | 44060-CY025 | |
| | 2,0 4WD | | 03.2007 | | 03.0137-3012.2 | 653012 | TBB.-SATZ | 44060-CY025 | |
| | 2,0 dCi | | 06.2007 | | 03.0137-3012.2 | 653012 | TBB.-SATZ | 44060-CY025 | |
| | 2,5 | | 06.2007 | | 03.0137-3012.2 | 653012 | TBB.-SATZ | 44060-CY025 | |



| | | | | | | | |
|---|---|---|---|---|-------------|--|---|
|  |  |  |  |  | Bezeichnung | OE-Nummern zu ATE Artikelnummern |  z.B. Vorsachnummern / diverse |
|---|---|---|---|---|-------------|--|---|

OPEL

| | | | | | | | | | |
|---------------------------------------|---------------|----|---------|---------|----------------|--------|-------------|---|--|
| CORSA D / Vauxhall Corsa MK III (06-) | 1,6 Turbo GSI | | 06.2007 | | 13.0460-3848.2 | 603848 | BELAGSATZ | 16 05 356 , 93189823 | |
| | 1,6 Turbo OPC | | 03.2007 | | 13.0460-3848.2 | 603848 | BELAGSATZ | 16 05 356 , 93189823 | |
| | 1,7 CDTI | | 10.2006 | | 13.0460-3848.2 | 603848 | BELAGSATZ | 16 05 356 , 93189823 | |
| FRONTERA A (92-98) | 2 | HL | | 10.1998 | 24.3411-1701.5 | 240361 | FAUSTSATTEL | 97035259 , 97144479 , 5 42 283 , 5 42 265 , 5 42 267 , 97039051 | |
| | | HR | | 10.1998 | 24.3411-1702.5 | 240362 | FAUSTSATTEL | 97035258 , 97144478 , 5 42 284 , 5 42 266 , 5 42 268 , 97039050 | |
| | 2,2 16V | HL | | 10.1998 | 24.3411-1701.5 | 240361 | FAUSTSATTEL | 97035259 , 97144479 , 5 42 283 , 5 42 265 , 5 42 267 , 97039051 | |
| | | HR | | 10.1998 | 24.3411-1702.5 | 240362 | FAUSTSATTEL | 97035258 , 97144478 , 5 42 284 , 5 42 266 , 5 42 268 , 97039050 | |
| | 2,3 TD | HL | | 10.1998 | 24.3411-1701.5 | 240361 | FAUSTSATTEL | 97035259 , 97144479 , 5 42 283 , 5 42 265 , 5 42 267 , 97039051 | |
| | | HR | | 10.1998 | 24.3411-1702.5 | 240362 | FAUSTSATTEL | 97035258 , 97144478 , 5 42 284 , 5 42 266 , 5 42 268 , 97039050 | |
| | 2,4 | HR | | 10.1998 | 24.3411-1702.5 | 240362 | FAUSTSATTEL | 97035258 , 97144478 , 5 42 284 , 5 42 266 , 5 42 268 , 97039050 | |
| | | HL | | 10.1998 | 24.3411-1701.5 | 240361 | FAUSTSATTEL | 97035259 , 97144479 , 5 42 283 , 5 42 265 , 5 42 267 , 97039051 | |



| | | | | | | | |
|---|---|---|---|---|-------------|--|---|
|  |  |  |  |  | Bezeichnung | OE-Nummern zu ATE Artikelnummern |  z.B. Vorsachnummern / diverse |
|---|---|---|---|---|-------------|--|---|

OPEL

| | | | | | | | | |
|--------------------|---------|----|---------|---------|----------------|--------|-------------|---|
| FRONTERA A (92-98) | 2,5 TDS | HR | | 10.1998 | 24.3411-1702.5 | 240362 | FAUSTSATTEL | 97035258 , 97144478 , 5 42 284 , 5 42 266 , 5 42 268 , 97039050 |
| | | HL | | 10.1998 | 24.3411-1701.5 | 240361 | FAUSTSATTEL | 97035259 , 97144479 , 5 42 283 , 5 42 265 , 5 42 267 , 97039051 |
| | 2,8 TD | HR | | 10.1998 | 24.3411-1702.5 | 240362 | FAUSTSATTEL | 97035258 , 97144478 , 5 42 284 , 5 42 266 , 5 42 268 , 97039050 |
| | | HL | | 10.1998 | 24.3411-1701.5 | 240361 | FAUSTSATTEL | 97035259 , 97144479 , 5 42 283 , 5 42 265 , 5 42 267 , 97039051 |
| FRONTERA B (98-04) | 2,2 DTI | HR | 10.1998 | 02.2004 | 24.3411-1702.5 | 240362 | FAUSTSATTEL | 97035258 , 97144478 , 5 42 284 , 5 42 266 , 5 42 268 , 97039050 |
| | | HL | 10.1998 | 02.2004 | 24.3411-1701.5 | 240361 | FAUSTSATTEL | 97035259 , 97144479 , 5 42 283 , 5 42 265 , 5 42 267 , 97039051 |
| | 2,2 i | HR | 10.1998 | 02.2004 | 24.3411-1702.5 | 240362 | FAUSTSATTEL | 97035258 , 97144478 , 5 42 284 , 5 42 266 , 5 42 268 , 97039050 |
| | | HL | 10.1998 | 02.2004 | 24.3411-1701.5 | 240361 | FAUSTSATTEL | 97035259 , 97144479 , 5 42 283 , 5 42 265 , 5 42 267 , 97039051 |
| | 3,2 i | HR | 10.1998 | 02.2004 | 24.3411-1702.5 | 240362 | FAUSTSATTEL | 97035258 , 97144478 , 5 42 284 , 5 42 266 , 5 42 268 , 97039050 |
| | | HL | 10.1998 | 02.2004 | 24.3411-1701.5 | 240361 | FAUSTSATTEL | 97035259 , 97144479 , 5 42 283 , 5 42 265 , 5 42 267 , 97039051 |



| | | | | | | | |
|---|---|---|---|---|-------------|--|---|
|  |  |  |  |  | Bezeichnung | OE-Nummern zu ATE Artikelnummern |  z.B. Vorsachnummern / diverse |
|---|---|---|---|---|-------------|--|---|

OPEL

| | | | | | | | | | |
|------------------|---------|----|---------|---------|----------------|--------|-------------|---|--|
| MONTEREY (92-98) | 3,1 TD | HR | 09.1991 | 07.1998 | 24.3411-1702.5 | 240362 | FAUSTSATTEL | 97035258 , 97144478 , 5 42 284 , 5 42 266 , 5 42 268 , 97039050 | |
| | | HL | 09.1991 | 07.1998 | 24.3411-1701.5 | 240361 | FAUSTSATTEL | 97035259 , 97144479 , 5 42 283 , 5 42 265 , 5 42 267 , 97039051 | |
| | 3,2 | HL | 05.1992 | 07.1998 | 24.3411-1701.5 | 240361 | FAUSTSATTEL | 97035259 , 97144479 , 5 42 283 , 5 42 265 , 5 42 267 , 97039051 | |
| | | HR | 05.1992 | 07.1998 | 24.3411-1702.5 | 240362 | FAUSTSATTEL | 97035258 , 97144478 , 5 42 284 , 5 42 266 , 5 42 268 , 97039050 | |
| MONTEREY (98-99) | 3,0 DTI | HL | 07.1998 | 08.1999 | 24.3411-1701.5 | 240361 | FAUSTSATTEL | 97035259 , 97144479 , 5 42 283 , 5 42 265 , 5 42 267 , 97039051 | |
| | | HR | 07.1998 | 08.1999 | 24.3411-1702.5 | 240362 | FAUSTSATTEL | 97035258 , 97144478 , 5 42 284 , 5 42 266 , 5 42 268 , 97039050 | |
| | 3,5 V6 | HL | 07.1998 | 08.1999 | 24.3411-1701.5 | 240361 | FAUSTSATTEL | 97035259 , 97144479 , 5 42 283 , 5 42 265 , 5 42 267 , 97039051 | |
| | | HR | 07.1998 | 08.1999 | 24.3411-1702.5 | 240362 | FAUSTSATTEL | 97035258 , 97144478 , 5 42 284 , 5 42 266 , 5 42 268 , 97039050 | |



| | | | | | | | |
|---|---|---|---|---|-------------|--|---|
|  |  |  |  |  | Bezeichnung | OE-Nummern zu ATE Artikelnummern |  z.B. Vorsachnummern / diverse |
|---|---|---|---|---|-------------|--|---|

PEUGEOT

| | | | | | | | | | |
|---------------------|-------------------|--|---------|--|----------------|--------|-----------|-------------------|--|
| 207 CC (07-) | CC 120 | | 02.2007 | | 13.0460-3851.2 | 603851 | BELAGSATZ | 4254 01 , 4254 19 | |
| | | | 02.2007 | | 13.0460-3851.2 | 603851 | BELAGSATZ | 4254 01 , 4254 19 | |
| | CC HDi 110 | | 02.2007 | | 13.0460-3851.2 | 603851 | BELAGSATZ | 4254 01 , 4254 19 | |
| | | | 02.2007 | | 13.0460-3851.2 | 603851 | BELAGSATZ | 4254 01 , 4254 19 | |
| | CC Sport 150 | | 02.2007 | | 13.0460-3851.2 | 603851 | BELAGSATZ | 4254 01 , 4254 19 | |
| | | | 02.2007 | | 13.0460-3851.2 | 603851 | BELAGSATZ | 4254 01 , 4254 19 | |
| 207 Limousine (06-) | 1,6 16V | | | | 13.0460-3851.2 | 603851 | BELAGSATZ | 4254 01 , 4254 19 | |
| | | | | | 13.0460-3851.2 | 603851 | BELAGSATZ | 4254 01 , 4254 19 | |
| | 1,6 16V RC | | 10.2006 | | 13.0460-3851.2 | 603851 | BELAGSATZ | 4254 01 , 4254 19 | |
| | | | 10.2006 | | 13.0460-3851.2 | 603851 | BELAGSATZ | 4254 01 , 4254 19 | |
| | 1,6 16V Turbo | | | | 13.0460-3851.2 | 603851 | BELAGSATZ | 4254 01 , 4254 19 | |
| | | | | | 13.0460-3851.2 | 603851 | BELAGSATZ | 4254 01 , 4254 19 | |
| | 1,6 HDi 110 | | | | 13.0460-3851.2 | 603851 | BELAGSATZ | 4254 01 , 4254 19 | |
| | | | | | 13.0460-3851.2 | 603851 | BELAGSATZ | 4254 01 , 4254 19 | |
| | 1,6 HDi 90 | | | | 13.0460-3851.2 | 603851 | BELAGSATZ | 4254 01 , 4254 19 | |
| | | | | | 13.0460-3851.2 | 603851 | BELAGSATZ | 4254 01 , 4254 19 | |
| | 1,6 HDi Le Mans | | | | 13.0460-3851.2 | 603851 | BELAGSATZ | 4254 01 , 4254 19 | |
| | | | | | 13.0460-3851.2 | 603851 | BELAGSATZ | 4254 01 , 4254 19 | |
| | 1,6 Turbo Le Mans | | | | 13.0460-3851.2 | 603851 | BELAGSATZ | 4254 01 , 4254 19 | |



| | | | | | | | |
|---|---|---|---|---|-------------|--|---|
|  |  |  |  |  | Bezeichnung | OE-Nummern zu ATE Artikelnummern |  z.B. Vorsachnummern / diverse |
|---|---|---|---|---|-------------|--|---|

PEUGEOT

| | | | | | | | | | |
|---------------------|-------------------|--|---------|--|----------------|--------|-----------|-----------------------------|--|
| 207 Limousine (06-) | 1,6 Turbo Le Mans | | | | 13.0460-3851.2 | 603851 | BELAGSATZ | 4254 01 , 4254 19 | |
| 207 SW (07-) | 1,6 HDi 110 | | | | 13.0460-3851.2 | 603851 | BELAGSATZ | 4254 01 , 4254 19 | |
| | | | | | 13.0460-3851.2 | 603851 | BELAGSATZ | 4254 01 , 4254 19 | |
| | | | 06.2007 | | 13.0460-3851.2 | 603851 | BELAGSATZ | 4254 01 , 4254 19 | |
| | | | 06.2007 | | 13.0460-3851.2 | 603851 | BELAGSATZ | 4254 01 , 4254 19 | |
| | 1,6 HDi 90 | | 06.2007 | | 13.0460-3851.2 | 603851 | BELAGSATZ | 4254 01 , 4254 19 | |
| | | | | | 13.0460-3851.2 | 603851 | BELAGSATZ | 4254 01 , 4254 19 | |
| | | | | | 13.0460-3851.2 | 603851 | BELAGSATZ | 4254 01 , 4254 19 | |
| | | | 06.2007 | | 13.0460-3851.2 | 603851 | BELAGSATZ | 4254 01 , 4254 19 | |
| | 1,6 i 16V | | 06.2007 | | 13.0460-3851.2 | 603851 | BELAGSATZ | 4254 01 , 4254 19 | |
| | | | | | 13.0460-3851.2 | 603851 | BELAGSATZ | 4254 01 , 4254 19 | |
| | | | 06.2007 | | 13.0460-3851.2 | 603851 | BELAGSATZ | 4254 01 , 4254 19 | |
| | | | | | 13.0460-3851.2 | 603851 | BELAGSATZ | 4254 01 , 4254 19 | |
| | 1,6 Turbo | | | | 13.0460-3851.2 | 603851 | BELAGSATZ | 4254 01 , 4254 19 | |
| | | | 11.2007 | | 13.0460-3851.2 | 603851 | BELAGSATZ | 4254 01 , 4254 19 | |
| | | | 11.2007 | | 13.0460-3851.2 | 603851 | BELAGSATZ | 4254 01 , 4254 19 | |
| | | | | | 13.0460-3851.2 | 603851 | BELAGSATZ | 4254 01 , 4254 19 | |
| 308 SW (08-) | 1,4 16V | | 05.2008 | | 13.0460-2745.2 | 602745 | BELAGSATZ | 4254 14 , 4254 29 , 4254 15 | |
| | | | 05.2008 | | 13.0460-2745.2 | 602745 | BELAGSATZ | 4254 14 , 4254 29 , 4254 15 | |



| | | | | | | | |
|---|---|---|---|---|-------------|--|---|
|  |  |  |  |  | Bezeichnung | OE-Nummern zu ATE Artikelnummern |  z.B. Vorsachnummern / diverse |
|---|---|---|---|---|-------------|--|---|

PEUGEOT

| | | | | | | | | |
|--------------|---------|----|---------|--|----------------|--------|---------------|-----------------------------|
| 308 SW (08-) | 1,6 16V | | 05.2008 | | 13.0460-2745.2 | 602745 | BELAGSATZ | 4254 14 , 4254 29 , 4254 15 |
| | | | 05.2008 | | 13.0460-2745.2 | 602745 | BELAGSATZ | 4254 14 , 4254 29 , 4254 15 |
| | 1,6 HDi | | 05.2008 | | 13.0460-2745.2 | 602745 | BELAGSATZ | 4254 14 , 4254 29 , 4254 15 |
| | | | 05.2008 | | 13.0460-2745.2 | 602745 | BELAGSATZ | 4254 14 , 4254 29 , 4254 15 |
| | 2,0 HDi | | 05.2008 | | 13.0460-2745.2 | 602745 | BELAGSATZ | 4254 14 , 4254 29 , 4254 15 |
| | | | 05.2008 | | 13.0460-2745.2 | 602745 | BELAGSATZ | 4254 14 , 4254 29 , 4254 15 |
| 807 (02-) | 2,0 16V | LH | 06.2002 | | 24.3727-0847.2 | 580847 | HANDBREMSSEIL | 1487274080 , 4745 T6 |
| | | LH | | | 24.3727-0849.2 | 580849 | HANDBREMSSEIL | 4745 Y6 , 4745 Y7 |
| | | LH | 09.2005 | | 24.3727-0847.2 | 580847 | HANDBREMSSEIL | 1487274080 , 4745 T6 |
| | 2,0 HDi | LH | 11.2006 | | 24.3727-0847.2 | 580847 | HANDBREMSSEIL | 1487274080 , 4745 T6 |
| | | LH | | | 24.3727-0849.2 | 580849 | HANDBREMSSEIL | 4745 Y6 , 4745 Y7 |
| | | LH | 06.2006 | | 24.3727-0847.2 | 580847 | HANDBREMSSEIL | 1487274080 , 4745 T6 |
| | | LH | 06.2002 | | 24.3727-0847.2 | 580847 | HANDBREMSSEIL | 1487274080 , 4745 T6 |
| | | LH | 05.2006 | | 24.3727-0847.2 | 580847 | HANDBREMSSEIL | 1487274080 , 4745 T6 |
| | 2,2 16V | LH | | | 24.3727-0849.2 | 580849 | HANDBREMSSEIL | 4745 Y6 , 4745 Y7 |
| | | LH | 06.2002 | | 24.3727-0847.2 | 580847 | HANDBREMSSEIL | 1487274080 , 4745 T6 |
| | 2,2 HDi | LH | 10.2007 | | 24.3727-0847.2 | 580847 | HANDBREMSSEIL | 1487274080 , 4745 T6 |
| | | LH | | | 24.3727-0849.2 | 580849 | HANDBREMSSEIL | 4745 Y6 , 4745 Y7 |
| | | LH | 06.2002 | | 24.3727-0847.2 | 580847 | HANDBREMSSEIL | 1487274080 , 4745 T6 |



| | | | | | | | |
|---|---|---|---|---|-------------|--|---|
|  |  |  |  |  | Bezeichnung | OE-Nummern zu ATE Artikelnummern |  z.B. Vorsachnummern / diverse |
|---|---|---|---|---|-------------|--|---|

PEUGEOT

| | | | | | | | | | |
|---------------------------------|-----------|----|---------|--|----------------|--------|---------------|-----------------------------|--|
| 807 (02-) | 3,0 V6 | LH | 06.2002 | | 24.3727-0847.2 | 580847 | HANDBREMSSEIL | 1487274080 , 4745 T6 | |
| | | LH | | | 24.3727-0849.2 | 580849 | HANDBREMSSEIL | 4745 Y6 , 4745 Y7 | |
| PARTNER Tepee/Kasten (B9) (08-) | 1,6 HDi | | 04.2008 | | 13.0460-2745.2 | 602745 | BELAGSATZ | 4254 14 , 4254 29 , 4254 15 | |
| | | | 04.2008 | | 13.0460-2745.2 | 602745 | BELAGSATZ | 4254 14 , 4254 29 , 4254 15 | |
| | | | 04.2008 | | 13.0460-7254.2 | 607254 | BELAGSATZ | 4254 12 , 4254 13 | |
| | | | 04.2008 | | 13.0460-7254.2 | 607254 | BELAGSATZ | 4254 12 , 4254 13 | |
| | 1,6 i 16V | | 04.2008 | | 13.0460-2745.2 | 602745 | BELAGSATZ | 4254 14 , 4254 29 , 4254 15 | |
| | | | 04.2008 | | 13.0460-7254.2 | 607254 | BELAGSATZ | 4254 12 , 4254 13 | |
| | | | 04.2008 | | 13.0460-7254.2 | 607254 | BELAGSATZ | 4254 12 , 4254 13 | |
| | | | 04.2008 | | 13.0460-2745.2 | 602745 | BELAGSATZ | 4254 14 , 4254 29 , 4254 15 | |

PORSCHE

| | | | | | | | | | |
|---------------------|-----|--|---------|---------|----------------|--------|-----------|---------------------------------|--|
| BOXSTER (987) (05-) | 2,7 | | 11.2004 | 07.2006 | 13.0460-4815.2 | 604815 | BELAGSATZ | 987 351 939 02 , 987 351 939 03 | |
| | | | 06.2006 | | 13.0460-4815.2 | 604815 | BELAGSATZ | 987 351 939 02 , 987 351 939 03 | |
| CAYMAN (987C) (05-) | | | 05.2006 | | 13.0460-4815.2 | 604815 | BELAGSATZ | 987 351 939 02 , 987 351 939 03 | |



| | | | | | | | |
|---|---|---|---|---|-------------|--|---|
|  |  |  |  |  | Bezeichnung | OE-Nummern zu ATE Artikelnummern |  z.B. Vorsachnummern / diverse |
|---|---|---|---|---|-------------|--|---|

SUBARU

| | | | | | | | | | |
|---------------|---------|----|---------|---------|----------------|--------|-------------|--------------------------|--|
| JUSTY (95-03) | 1,3 4x4 | HL | 10.1995 | 09.2000 | 24.3217-1725.3 | 020512 | RADZYLINDER | 5340263B00 , 53402-63B00 | |
| | | HR | 10.1995 | 09.2000 | 24.3217-1726.3 | 020513 | RADZYLINDER | 5340163B00 , 53401-63B00 | |



| | | | | | | | | |
|--|--|--|--|--|-------------|--|--|----------------------------------|
| | | | | | Bezeichnung | OE-Nummern zu ATE Artikelnummern | | z.B. Vorsachnummern / diverse |
|--|--|--|--|--|-------------|--|--|----------------------------------|

SUZUKI

| | | | | | | | | | |
|----------------|---------------|----|---------|---------|----------------|--------|----------------|--------------------------|--|
| BALENO (95-02) | 1,3 | LH | 09.1996 | 05.2002 | 24.3727-2003.2 | 582003 | HANDBREMSESEIL | 54402-60G00 | |
| | | RH | 09.1996 | 05.2002 | 24.3727-2000.2 | 582000 | HANDBREMSESEIL | 54401-60G00 | |
| | | HL | 09.1996 | 05.2002 | 24.3217-1725.3 | 020512 | RADZYLINDER | 5340263B00 , 53402-63B00 | |
| | | HR | 09.1996 | 05.2002 | 24.3217-1726.3 | 020513 | RADZYLINDER | 5340163B00 , 53401-63B00 | |
| | 1,3 i 16V | LH | 07.1995 | 05.2002 | 24.3727-2003.2 | 582003 | HANDBREMSESEIL | 54402-60G00 | |
| | | RH | 07.1995 | 05.2002 | 24.3727-2000.2 | 582000 | HANDBREMSESEIL | 54401-60G00 | |
| | | HL | 07.1995 | 05.2002 | 24.3217-1725.3 | 020512 | RADZYLINDER | 5340263B00 , 53402-63B00 | |
| | | HR | 07.1995 | 05.2002 | 24.3217-1726.3 | 020513 | RADZYLINDER | 5340163B00 , 53401-63B00 | |
| | 1,6 i 16V | LH | 07.1995 | 05.2002 | 24.3727-2003.2 | 582003 | HANDBREMSESEIL | 54402-60G00 | |
| | | RH | 07.1995 | 05.2002 | 24.3727-2000.2 | 582000 | HANDBREMSESEIL | 54401-60G00 | |
| | | HR | 07.1995 | 05.2002 | 24.3217-1726.3 | 020513 | RADZYLINDER | 5340163B00 , 53401-63B00 | |
| | | HL | 07.1995 | 05.2002 | 24.3217-1725.3 | 020512 | RADZYLINDER | 5340263B00 , 53402-63B00 | |
| | 1,6 i 16V 4x4 | RH | 07.1995 | 05.2002 | 24.3727-2000.2 | 582000 | HANDBREMSESEIL | 54401-60G00 | |
| | | LH | 07.1995 | 05.2002 | 24.3727-2003.2 | 582003 | HANDBREMSESEIL | 54402-60G00 | |
| | | HR | 07.1995 | 05.2002 | 24.3217-1726.3 | 020513 | RADZYLINDER | 5340163B00 , 53401-63B00 | |
| | | HL | 07.1995 | 05.2002 | 24.3217-1725.3 | 020512 | RADZYLINDER | 5340263B00 , 53402-63B00 | |
| LIANA (01-07) | 1,3 i 16V | HR | 07.2001 | 08.2006 | 24.3217-1726.3 | 020513 | RADZYLINDER | 5340163B00 , 53401-63B00 | |
| | | HL | 07.2001 | 08.2006 | 24.3217-1725.3 | 020512 | RADZYLINDER | 5340263B00 , 53402-63B00 | |
| | 1,4 DDiS | HL | 03.2005 | 08.2006 | 24.3217-1725.3 | 020512 | RADZYLINDER | 5340263B00 , 53402-63B00 | |



| | | | | | | | | |
|---|---|---|---|---|--|-------------|--|---|
|  |  |  |  |  | | Bezeichnung | OE-Nummern zu ATE Artikelnummern |  z.B. Vorsachnummern / diverse |
|---|---|---|---|---|--|-------------|--|---|

SUZUKI

| | | | | | | | | | |
|------------------|-----------------------|----|---------|---------|----------------|--------|-------------|--------------------------|--|
| LIANA (01-07) | 1,4 DDiS | HR | 03.2005 | 08.2006 | 24.3217-1726.3 | 020513 | RADZYLINDER | 5340163B00 , 53401-63B00 | |
| | 1,6 i 16V | HL | 07.2001 | 08.2007 | 24.3217-1725.3 | 020512 | RADZYLINDER | 5340263B00 , 53402-63B00 | |
| | | HL | 04.2002 | 08.2007 | 24.3217-1725.3 | 020512 | RADZYLINDER | 5340263B00 , 53402-63B00 | |
| | | HR | 07.2001 | 08.2007 | 24.3217-1726.3 | 020513 | RADZYLINDER | 5340163B00 , 53401-63B00 | |
| | | HR | 04.2002 | 08.2007 | 24.3217-1726.3 | 020513 | RADZYLINDER | 5340163B00 , 53401-63B00 | |
| | 1,6 i 16V 4WD | HR | 07.2001 | 08.2007 | 24.3217-1726.3 | 020513 | RADZYLINDER | 5340163B00 , 53401-63B00 | |
| | | HR | 04.2002 | 08.2007 | 24.3217-1726.3 | 020513 | RADZYLINDER | 5340163B00 , 53401-63B00 | |
| | | HL | 04.2002 | 08.2007 | 24.3217-1725.3 | 020512 | RADZYLINDER | 5340263B00 , 53402-63B00 | |
| | | HL | 07.2001 | 08.2007 | 24.3217-1725.3 | 020512 | RADZYLINDER | 5340263B00 , 53402-63B00 | |
| SWIFT II (89-96) | 1,0 i (SF310) | HL | 08.1992 | | 24.3217-1725.3 | 020512 | RADZYLINDER | 5340263B00 , 53402-63B00 | |
| | | HR | 08.1992 | | 24.3217-1726.3 | 020513 | RADZYLINDER | 5340163B00 , 53401-63B00 | |
| | 1,3 (SF413) | HL | 04.1989 | | 24.3217-1725.3 | 020512 | RADZYLINDER | 5340263B00 , 53402-63B00 | |
| | | HR | 04.1989 | | 24.3217-1726.3 | 020513 | RADZYLINDER | 5340163B00 , 53401-63B00 | |
| | 1,3 i 16V GTi (SF413) | HL | 08.1992 | | 24.3217-1725.3 | 020512 | RADZYLINDER | 5340263B00 , 53402-63B00 | |
| | | HR | 08.1992 | | 24.3217-1726.3 | 020513 | RADZYLINDER | 5340163B00 , 53401-63B00 | |
| SWIFT II (96-04) | 1,3 i (SF413) | HR | 11.1996 | 05.2001 | 24.3217-1726.3 | 020513 | RADZYLINDER | 5340163B00 , 53401-63B00 | |
| | | HR | 06.2001 | 12.2004 | 24.3217-1726.3 | 020513 | RADZYLINDER | 5340163B00 , 53401-63B00 | |
| | | HL | 06.2001 | 12.2004 | 24.3217-1725.3 | 020512 | RADZYLINDER | 5340263B00 , 53402-63B00 | |
| | | HL | 11.1996 | 05.2001 | 24.3217-1725.3 | 020512 | RADZYLINDER | 5340263B00 , 53402-63B00 | |



| | | | | | | | |
|--|--|--|--|--|-------------|--|--------------------------------------|
| | | | | | Bezeichnung | OE-Nummern zu ATE Artikelnummern | z.B. Vorsachnummern / diverse |
|--|--|--|--|--|-------------|--|--------------------------------------|

SUZUKI

| | | | | | | | | | |
|------------------|-------------------|----|---------|---------|----------------|--------|-------------|--------------------------------------|--|
| SWIFT II (96-04) | 1,3 i 4WD (SF413) | HL | 06.2001 | 12.2004 | 24.3217-1725.3 | 020512 | RADZYLINDER | 5340263B00 , 53402-63B00 | |
| | | HR | 06.2001 | 12.2004 | 24.3217-1726.3 | 020513 | RADZYLINDER | 5340163B00 , 53401-63B00 | |
| | | HL | 11.1996 | 05.2001 | 24.3217-1725.3 | 020512 | RADZYLINDER | 5340263B00 , 53402-63B00 | |
| | | HR | 11.1996 | 05.2001 | 24.3217-1726.3 | 020513 | RADZYLINDER | 5340163B00 , 53401-63B00 | |
| SX4 (06-) | 1,5 | | 06.2006 | | 03.0137-0490.2 | 650490 | TBB.-SATZ | 71742832 , 71747587 , 53200-79J00 | |
| | 1,6 VVT | | 06.2006 | | 03.0137-0490.2 | 650490 | TBB.-SATZ | 71742832 , 71747587 , 53200-79J00 | |
| | 1,6 VVT 4x4 | | 06.2006 | | 03.0137-0490.2 | 650490 | TBB.-SATZ | 71742832 , 71747587 , 53200-79J00 | |
| | 1,9 DDiS | | 06.2006 | | 03.0137-0490.2 | 650490 | TBB.-SATZ | 71742832 , 71747587 , 53200-79J00 | |
| | 1,9 DDiS 4x4 | | 06.2006 | | 03.0137-0490.2 | 650490 | TBB.-SATZ | 71742832 , 71747587 , 53200-79J00 | |



| | | | | | | | |
|--|--|--|--|--|-------------|--|----------------------------------|
| | | | | | Bezeichnung | OE-Nummern zu ATE Artikelnummern | |
| | | | | | | | z.B. Vorsachnummern / diverse |

TOYOTA

| | | | | | | | | | |
|---------------------------------------|--------------------|--|---------|---------|----------------|--------|-----------|--|--|
| AURIS (07-) | 1,4 D-4D | | 03.2007 | | 13.0460-5604.2 | 605604 | BELAGSATZ | 04466-02170 , 04466-02180 , 04466-02190 | |
| | | | 03.2007 | | 13.0460-5604.2 | 605604 | BELAGSATZ | 04466-02170 , 04466-02180 , 04466-02190 | |
| | 2,0 D-4D | | 03.2007 | | 13.0460-5604.2 | 605604 | BELAGSATZ | 04466-02170 , 04466-02180 , 04466-02190 | |
| | | | 03.2007 | | 13.0460-5604.2 | 605604 | BELAGSATZ | 04466-02170 , 04466-02180 , 04466-02190 | |
| | 2,2 D-4D | | 03.2007 | | 13.0460-5604.2 | 605604 | BELAGSATZ | 04466-02170 , 04466-02180 , 04466-02190 | |
| | | | 03.2007 | | 13.0460-5604.2 | 605604 | BELAGSATZ | 04466-02170 , 04466-02180 , 04466-02190 | |
| COROLLA (06-) | 1,4 D-4D (NDE150) | | 11.2006 | | 13.0460-5604.2 | 605604 | BELAGSATZ | 04466-02170 , 04466-02180 , 04466-02190 | |
| | | | 11.2006 | | 13.0460-5604.2 | 605604 | BELAGSATZ | 04466-02170 , 04466-02180 , 04466-02190 | |
| | 2,0 D-4DF (ADE150) | | 11.2006 | | 13.0460-5604.2 | 605604 | BELAGSATZ | 04466-02170 , 04466-02180 , 04466-02190 | |
| | | | 11.2006 | | 13.0460-5604.2 | 605604 | BELAGSATZ | 04466-02170 , 04466-02180 , 04466-02190 | |
| LAND CRUISER STATION WAGON 80 (90-97) | 4,0 i (FJ80) | | 01.1990 | 08.1992 | 13.0460-5745.2 | 605745 | BELAGSATZ | 04491-60160 , 04491-60180 , 04465-60020 | |
| | 4,2 D (HZJ80) | | 01.1990 | 12.1997 | 13.0460-5745.2 | 605745 | BELAGSATZ | 04491-60160 , 04491-60180 , 04465-60020 | |
| | 4,2 TD (HDJ80) | | 01.1990 | 12.1997 | 13.0460-5745.2 | 605745 | BELAGSATZ | 04491-60160 , 04491-60180 , 04465-60020 | |



| | | | | | | |
|--|--|--|--|-------------|--|--------------------------------------|
| | | | | Bezeichnung | OE-Nummern zu ATE Artikelnummern | z.B. Vorsachnummern / diverse |
|--|--|--|--|-------------|--|--------------------------------------|

TOYOTA

| | | | | | | | | | |
|---------------------------------------|-------------------|--|---------|---------|----------------|--------|-----------|--|--|
| LAND CRUISER STATION WAGON 80 (90-97) | 4,5 i 24V (FZJ80) | | 08.1992 | 12.1997 | 13.0460-5745.2 | 605745 | BELAGSATZ | 04491-60160 , 04491-60180 , 04465-60020 | |
|---------------------------------------|-------------------|--|---------|---------|----------------|--------|-----------|--|--|



| | | | | | | | |
|---|---|---|---|---|-------------|--|---|
|  |  |  |  |  | Bezeichnung | OE-Nummern zu ATE Artikelnummern |  z.B. Vorsachnummern / diverse |
|---|---|---|---|---|-------------|--|---|

VOLKSWAGEN

| | | | | | | | | | |
|------------------------|----------------|--|---------|---------|----------------|--------|---------------|-------------------------------|--|
| CADDY I (83-92) | 1,5 | | 08.1982 | 07.1983 | 83.6299-0807.3 | 330901 | BREMSSCHLAUCH | 147 611 775 , 147 611 775 A | |
| | 1,6 | | 08.1983 | 07.1992 | 83.6299-0807.3 | 330901 | BREMSSCHLAUCH | 147 611 775 , 147 611 775 A | |
| | 1,6 D | | 08.1982 | 07.1992 | 83.6299-0807.3 | 330901 | BREMSSCHLAUCH | 147 611 775 , 147 611 775 A | |
| | 1,8 | | 08.1985 | 07.1992 | 83.6299-0807.3 | 330901 | BREMSSCHLAUCH | 147 611 775 , 147 611 775 A | |
| PASSAT CC (08-) | 1,8 TSI | | 04.2008 | | 83.7249-0536.3 | 330900 | BREMSSCHLAUCH | 3C0 611 701 C , 3C0 611 701 J | |
| | 2,0 TDI | | 06.2008 | | 83.7249-0536.3 | 330900 | BREMSSCHLAUCH | 3C0 611 701 C , 3C0 611 701 J | |
| | | | 04.2008 | | 83.7249-0536.3 | 330900 | BREMSSCHLAUCH | 3C0 611 701 C , 3C0 611 701 J | |
| | 2,0 TSI | | 04.2008 | | 83.7249-0536.3 | 330900 | BREMSSCHLAUCH | 3C0 611 701 C , 3C0 611 701 J | |
| | 3,6 V6 4motion | | 04.2008 | | 83.7249-0536.3 | 330900 | BREMSSCHLAUCH | 3C0 611 701 C , 3C0 611 701 J | |
| PASSAT Limousine (05-) | 1,4 TSI | | 10.2007 | | 83.7249-0536.3 | 330900 | BREMSSCHLAUCH | 3C0 611 701 C , 3C0 611 701 J | |
| | 1,6 | | 03.2005 | | 83.7249-0536.3 | 330900 | BREMSSCHLAUCH | 3C0 611 701 C , 3C0 611 701 J | |
| | 1,6 FSI | | 03.2005 | | 83.7249-0536.3 | 330900 | BREMSSCHLAUCH | 3C0 611 701 C , 3C0 611 701 J | |
| | 1,8 TSI | | 10.2007 | | 83.7249-0536.3 | 330900 | BREMSSCHLAUCH | 3C0 611 701 C , 3C0 611 701 J | |
| | 1,9 TDI | | 03.2005 | | 83.7249-0536.3 | 330900 | BREMSSCHLAUCH | 3C0 611 701 C , 3C0 611 701 J | |



| | | | | | | | | |
|--|--|--|--|--|-------------|--|--|----------------------------------|
| | | | | | Bezeichnung | OE-Nummern zu ATE Artikelnummern | | z.B. Vorsachnummern / diverse |
|--|--|--|--|--|-------------|--|--|----------------------------------|

VOLKSWAGEN

| | | | | | | | | | |
|------------------------|--------------------|--|---------|--|----------------|--------|---------------|-------------------------------|--|
| PASSAT Limousine (05-) | 2,0 FSI | | 03.2005 | | 83.7249-0536.3 | 330900 | BREMSSCHLAUCH | 3C0 611 701 C , 3C0 611 701 J | |
| | 2,0 FSI 4motion | | 03.2005 | | 83.7249-0536.3 | 330900 | BREMSSCHLAUCH | 3C0 611 701 C , 3C0 611 701 J | |
| | 2,0 TDI | | 08.2005 | | 83.7249-0536.3 | 330900 | BREMSSCHLAUCH | 3C0 611 701 C , 3C0 611 701 J | |
| | | | 03.2005 | | 83.7249-0536.3 | 330900 | BREMSSCHLAUCH | 3C0 611 701 C , 3C0 611 701 J | |
| | 2,0 TDI 4motion | | 03.2005 | | 83.7249-0536.3 | 330900 | BREMSSCHLAUCH | 3C0 611 701 C , 3C0 611 701 J | |
| | 2,0 TFSI | | 03.2005 | | 83.7249-0536.3 | 330900 | BREMSSCHLAUCH | 3C0 611 701 C , 3C0 611 701 J | |
| | 3,2 V6 FSI | | 11.2005 | | 83.7249-0536.3 | 330900 | BREMSSCHLAUCH | 3C0 611 701 C , 3C0 611 701 J | |
| | 3,2 V6 FSI 4motion | | 09.2005 | | 83.7249-0536.3 | 330900 | BREMSSCHLAUCH | 3C0 611 701 C , 3C0 611 701 J | |
| | 3,6 R36 | | 04.2007 | | 83.7249-0536.3 | 330900 | BREMSSCHLAUCH | 3C0 611 701 C , 3C0 611 701 J | |
| PASSAT Variant (05-) | 1,4 TSI | | 10.2007 | | 83.7249-0536.3 | 330900 | BREMSSCHLAUCH | 3C0 611 701 C , 3C0 611 701 J | |
| | 1,6 | | 07.2005 | | 83.7249-0536.3 | 330900 | BREMSSCHLAUCH | 3C0 611 701 C , 3C0 611 701 J | |
| | 1,6 FSI | | 07.2005 | | 83.7249-0536.3 | 330900 | BREMSSCHLAUCH | 3C0 611 701 C , 3C0 611 701 J | |
| | 1,8 TSI | | 10.2007 | | 83.7249-0536.3 | 330900 | BREMSSCHLAUCH | 3C0 611 701 C , 3C0 611 701 J | |



| | | | | | | | |
|--|--|--|--|--|-------------|--|--------------------------------------|
| | | | | | Bezeichnung | OE-Nummern zu ATE Artikelnummern | z.B. Vorsachnummern / diverse |
|--|--|--|--|--|-------------|--|--------------------------------------|

VOLKSWAGEN

| | | | | | | | | | |
|----------------------|--------------------|--|---------|---------|----------------|--------|---------------|-------------------------------|--|
| PASSAT Variant (05-) | 1,9 TDI | | 07.2005 | | 83.7249-0536.3 | 330900 | BREMSSCHLAUCH | 3C0 611 701 C , 3C0 611 701 J | |
| | 2,0 FSI | | 07.2005 | | 83.7249-0536.3 | 330900 | BREMSSCHLAUCH | 3C0 611 701 C , 3C0 611 701 J | |
| | 2,0 FSI 4motion | | 09.2005 | | 83.7249-0536.3 | 330900 | BREMSSCHLAUCH | 3C0 611 701 C , 3C0 611 701 J | |
| | 2,0 TDI | | 07.2005 | | 83.7249-0536.3 | 330900 | BREMSSCHLAUCH | 3C0 611 701 C , 3C0 611 701 J | |
| | 2,0 TDI 4motion | | 09.2005 | | 83.7249-0536.3 | 330900 | BREMSSCHLAUCH | 3C0 611 701 C , 3C0 611 701 J | |
| | 2,0 TFSI | | 07.2005 | | 83.7249-0536.3 | 330900 | BREMSSCHLAUCH | 3C0 611 701 C , 3C0 611 701 J | |
| | 3,2 V6 FSI | | 11.2005 | | 83.7249-0536.3 | 330900 | BREMSSCHLAUCH | 3C0 611 701 C , 3C0 611 701 J | |
| | 3,2 V6 FSI 4motion | | 11.2005 | | 83.7249-0536.3 | 330900 | BREMSSCHLAUCH | 3C0 611 701 C , 3C0 611 701 J | |
| TOUAREG (03-) | 2,5 R5 TDI | | 01.2003 | | 83.6238-0408.3 | 330895 | BREMSSCHLAUCH | 7L6 611 776 , 7L6 611 776 A | |
| | | | 01.2003 | | 13.0460-7247.2 | 607247 | BELAGSATZ | 7L6 698 451 C | |
| | 3,0 V6 TDI | | 11.2004 | | 83.6238-0408.3 | 330895 | BREMSSCHLAUCH | 7L6 611 776 , 7L6 611 776 A | |
| | | | 10.2007 | | 83.6238-0408.3 | 330895 | BREMSSCHLAUCH | 7L6 611 776 , 7L6 611 776 A | |
| | | | 10.2007 | | 13.0460-7247.2 | 607247 | BELAGSATZ | 7L6 698 451 C | |
| | | | 11.2004 | | 13.0460-7247.2 | 607247 | BELAGSATZ | 7L6 698 451 C | |
| | 3,2 V6 | | 11.2002 | 12.2005 | 83.6238-0408.3 | 330895 | BREMSSCHLAUCH | 7L6 611 776 , 7L6 611 776 A | |
| | | | 11.2002 | 12.2005 | 13.0460-7247.2 | 607247 | BELAGSATZ | 7L6 698 451 C | |



| | | | | | | |
|--|--|--|--|-------------|--|----------------------------------|
| | | | | Bezeichnung | OE-Nummern zu ATE Artikelnummern | |
| | | | | | | z.B. Vorsachnummern / diverse |

VOLKSWAGEN

| | | | | | | | | | |
|---------------|-------------|--|---------|---------|----------------|--------|---------------|-----------------------------|--|
| TOUAREG (03-) | 3,6 V6 FSI | | 01.2006 | | 83.6238-0408.3 | 330895 | BREMSSCHLAUCH | 7L6 611 776 , 7L6 611 776 A | |
| | | | 01.2006 | | 13.0460-7247.2 | 607247 | BELAGSATZ | 7L6 698 451 C | |
| | 4,2 V8 | | 12.2002 | 11.2006 | 83.6238-0408.3 | 330895 | BREMSSCHLAUCH | 7L6 611 776 , 7L6 611 776 A | |
| | | | 12.2002 | 11.2006 | 13.0460-7247.2 | 607247 | BELAGSATZ | 7L6 698 451 C | |
| | 4,2 V8 FSI | | 12.2006 | | 83.6238-0408.3 | 330895 | BREMSSCHLAUCH | 7L6 611 776 , 7L6 611 776 A | |
| | | | 12.2006 | | 13.0460-7247.2 | 607247 | BELAGSATZ | 7L6 698 451 C | |
| | 5,0 R50 TDI | | 01.2008 | | 83.6238-0408.3 | 330895 | BREMSSCHLAUCH | 7L6 611 776 , 7L6 611 776 A | |
| | | | 01.2008 | | 13.0460-7247.2 | 607247 | BELAGSATZ | 7L6 698 451 C | |
| | 5,0 V10 TDI | | 11.2002 | | 83.6238-0408.3 | 330895 | BREMSSCHLAUCH | 7L6 611 776 , 7L6 611 776 A | |
| | | | 11.2002 | | 13.0460-7247.2 | 607247 | BELAGSATZ | 7L6 698 451 C | |
| | 6,0 W12 | | 08.2004 | 11.2006 | 83.6238-0408.3 | 330895 | BREMSSCHLAUCH | 7L6 611 776 , 7L6 611 776 A | |
| | | | 08.2004 | 11.2006 | 13.0460-7247.2 | 607247 | BELAGSATZ | 7L6 698 451 C | |



| | | | | | | | |
|--|--|--|--|--|-------------|--|--------------------------------------|
| | | | | | Bezeichnung | OE-Nummern zu ATE Artikelnummern | z.B. Vorsachnummern / diverse |
|--|--|--|--|--|-------------|--|--------------------------------------|

VOLVO

| | | | | | | | | | |
|---------------|--------------|----|--|---------|----------------|--------|---------------|-----------------------------------|--|
| S40 I (95-03) | 1,6 | RH | | | 24.3727-1314.2 | 581314 | HANDBREMSSEIL | 30884538 , 30644116 , 30621299 | |
| | | RH | | 12.2003 | 24.3727-1314.2 | 581314 | HANDBREMSSEIL | 30884538 , 30644116 , 30621299 | |
| | 1,8 (1783) | RH | | | 24.3727-1314.2 | 581314 | HANDBREMSSEIL | 30884538 , 30644116 , 30621299 | |
| | | RH | | 12.2003 | 24.3727-1314.2 | 581314 | HANDBREMSSEIL | 30884538 , 30644116 , 30621299 | |
| | 1,8 i (1834) | RH | | | 24.3727-1314.2 | 581314 | HANDBREMSSEIL | 30884538 , 30644116 , 30621299 | |
| | | RH | | 12.2003 | 24.3727-1314.2 | 581314 | HANDBREMSSEIL | 30884538 , 30644116 , 30621299 | |
| | 1,9 DI | RH | | | 24.3727-1314.2 | 581314 | HANDBREMSSEIL | 30884538 , 30644116 , 30621299 | |
| | | RH | | 12.2003 | 24.3727-1314.2 | 581314 | HANDBREMSSEIL | 30884538 , 30644116 , 30621299 | |
| | 2 | RH | | | 24.3727-1314.2 | 581314 | HANDBREMSSEIL | 30884538 , 30644116 , 30621299 | |
| | | RH | | 12.2003 | 24.3727-1314.2 | 581314 | HANDBREMSSEIL | 30884538 , 30644116 , 30621299 | |
| | 2,0 T | RH | | 12.2003 | 24.3727-1314.2 | 581314 | HANDBREMSSEIL | 30884538 , 30644116 , 30621299 | |
| | | RH | | | 24.3727-1314.2 | 581314 | HANDBREMSSEIL | 30884538 , 30644116 , 30621299 | |
| | 2,0 T4 | RH | | 12.2003 | 24.3727-1314.2 | 581314 | HANDBREMSSEIL | 30884538 , 30644116 , 30621299 | |



| | | | | | | | |
|--|--|--|--|--|-------------|--|----------------------------------|
| | | | | | Bezeichnung | OE-Nummern zu ATE Artikelnummern | |
| | | | | | | | z.B. Vorsachnummern / diverse |

VOLVO

| | | | | | | | | | |
|---------------|--------------|----|--|---------|----------------|--------|---------------|-----------------------------------|--|
| S40 I (95-03) | 2,0 T4 | RH | | | 24.3727-1314.2 | 581314 | HANDBREMSSEIL | 30884538 , 30644116 , 30621299 | |
| V40 (95-04) | 1,6 | RH | | | 24.3727-1314.2 | 581314 | HANDBREMSSEIL | 30884538 , 30644116 , 30621299 | |
| | | RH | | 07.2003 | 24.3727-1314.2 | 581314 | HANDBREMSSEIL | 30884538 , 30644116 , 30621299 | |
| | 1,8 (1783) | RH | | | 24.3727-1314.2 | 581314 | HANDBREMSSEIL | 30884538 , 30644116 , 30621299 | |
| | | RH | | 07.2003 | 24.3727-1314.2 | 581314 | HANDBREMSSEIL | 30884538 , 30644116 , 30621299 | |
| | 1,8 i (1834) | RH | | 07.2003 | 24.3727-1314.2 | 581314 | HANDBREMSSEIL | 30884538 , 30644116 , 30621299 | |
| | | RH | | | 24.3727-1314.2 | 581314 | HANDBREMSSEIL | 30884538 , 30644116 , 30621299 | |
| | 1,9 DI | RH | | | 24.3727-1314.2 | 581314 | HANDBREMSSEIL | 30884538 , 30644116 , 30621299 | |
| | | RH | | 07.2003 | 24.3727-1314.2 | 581314 | HANDBREMSSEIL | 30884538 , 30644116 , 30621299 | |
| | 2 | RH | | | 24.3727-1314.2 | 581314 | HANDBREMSSEIL | 30884538 , 30644116 , 30621299 | |
| | | RH | | 07.2003 | 24.3727-1314.2 | 581314 | HANDBREMSSEIL | 30884538 , 30644116 , 30621299 | |
| | 2,0 T | RH | | | 24.3727-1314.2 | 581314 | HANDBREMSSEIL | 30884538 , 30644116 , 30621299 | |
| | | RH | | 07.2003 | 24.3727-1314.2 | 581314 | HANDBREMSSEIL | 30884538 , 30644116 , 30621299 | |



| | | | | | | | |
|---|----------|---|---|---|-------------|--|--|
|  | i |  |  |  | Bezeichnung | OE-Nummern zu ATE Artikelnummern | i z.B. Vorsachnummern / diverse |
|---|----------|---|---|---|-------------|--|--|

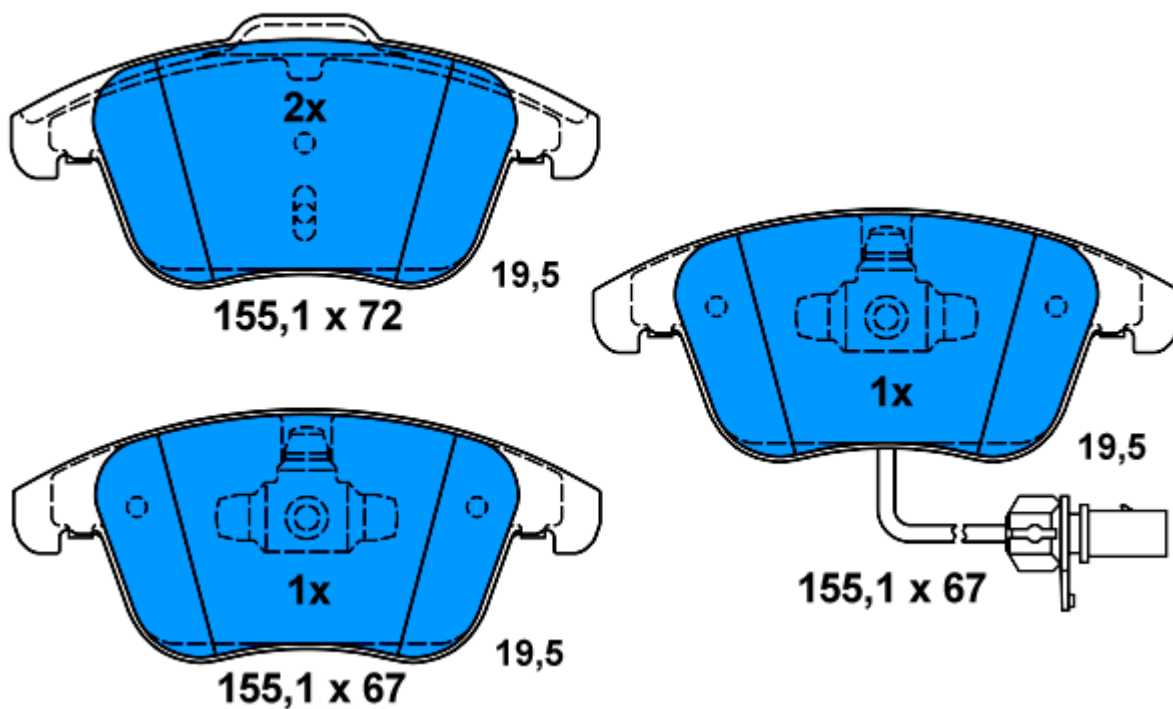
VOLVO

| | | | | | | | | | |
|-------------|--------|----|--|---------|----------------|--------|---------------|-----------------------------------|--|
| V40 (95-04) | 2,0 T4 | RH | | 07.2003 | 24.3727-1314.2 | 581314 | HANDBREMSSEIL | 30884538 , 30644116 , 30621299 | |
| | | RH | | | 24.3727-1314.2 | 581314 | HANDBREMSSEIL | 30884538 , 30644116 , 30621299 | |

NEW ATE PAD ON STOCK



13.0460-7256.2 607256



General applications - Details see Detail List

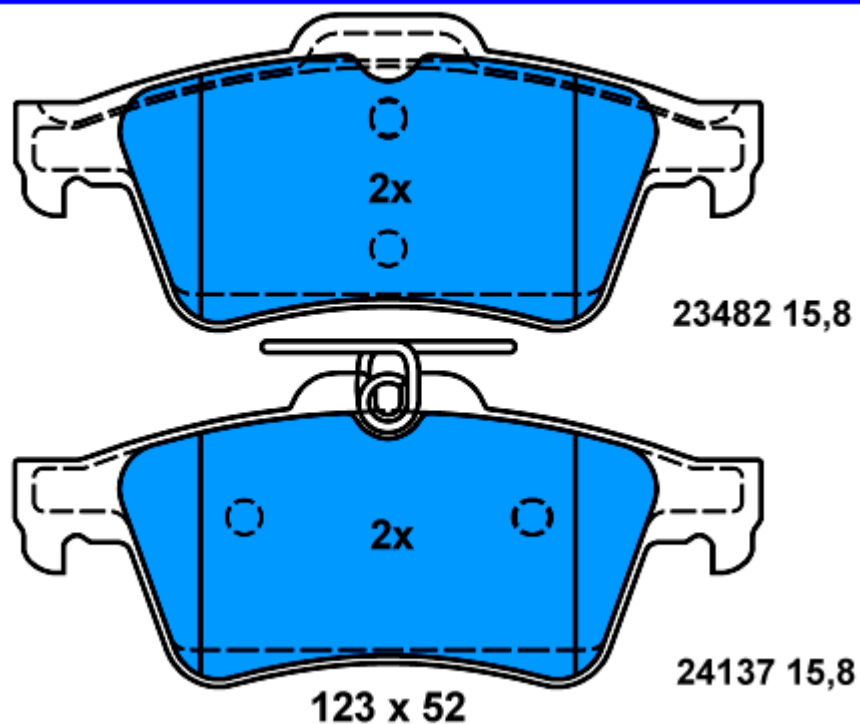
AUDI A4 (B8) Avant (08-)
AUDI A4 (B8) Limousine (07-)
AUDI A5 (07-)



NEW ATE PAD ON STOCK



13.0460-7253.2 607253



General applications - Details see Detail List

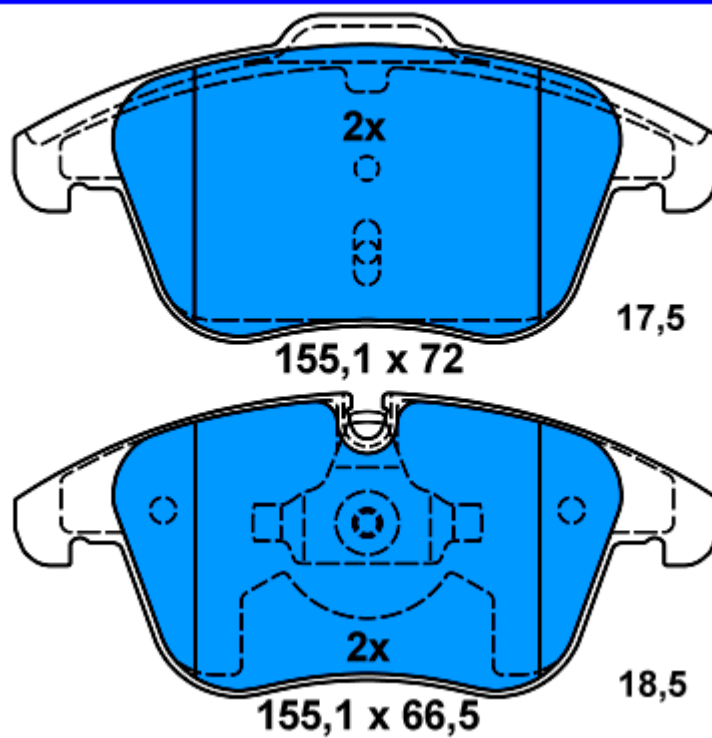
CITROEN C5 III Kombi (X7) (08-)
CITROEN C5 III Limousine (X7) (08-)



NEW ATE PAD ON STOCK



13.0460-7252.2 607252



General applications - Details see Detail List

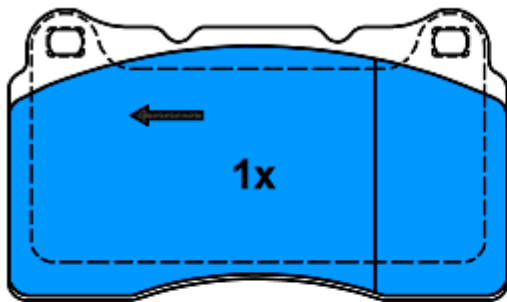
CITROEN C5 III Kombi (X7) (08-)
CITROEN C5 III Limousine (X7) (08-)



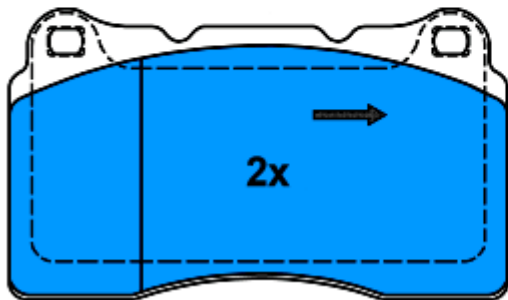
NEW ATE PAD ON STOCK



13.0460-4851.2 604851

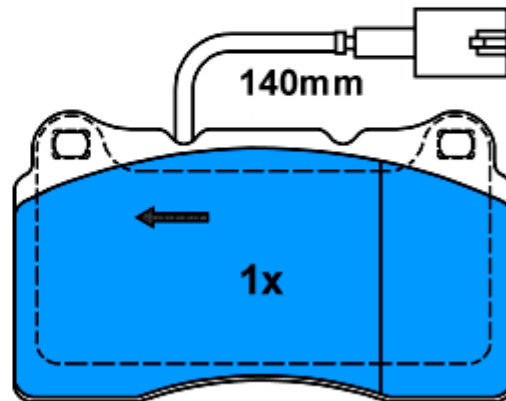


23092 16,0



23092 16,0

131,8 x 77,2



23111 16,0

General applications - Details see Detail List

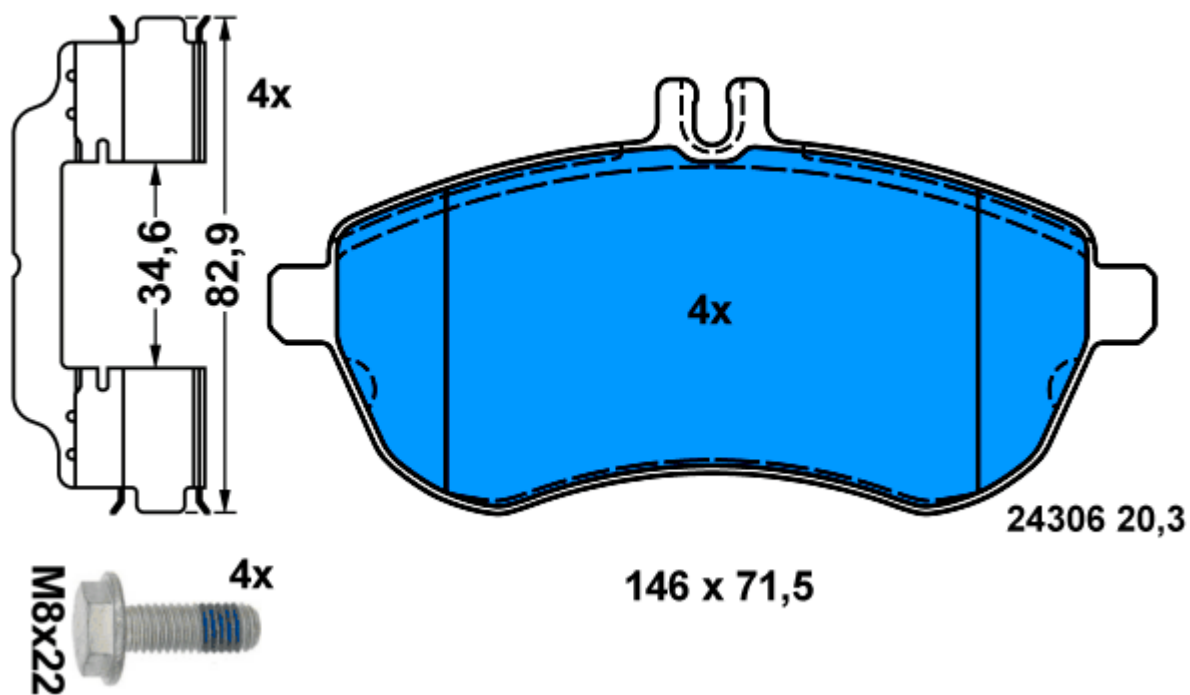
ALFA ROMEO 159 (05-)



NEW ATE PAD ON STOCK



13.0460-2732.2 602732



General applications - Details see Detail List

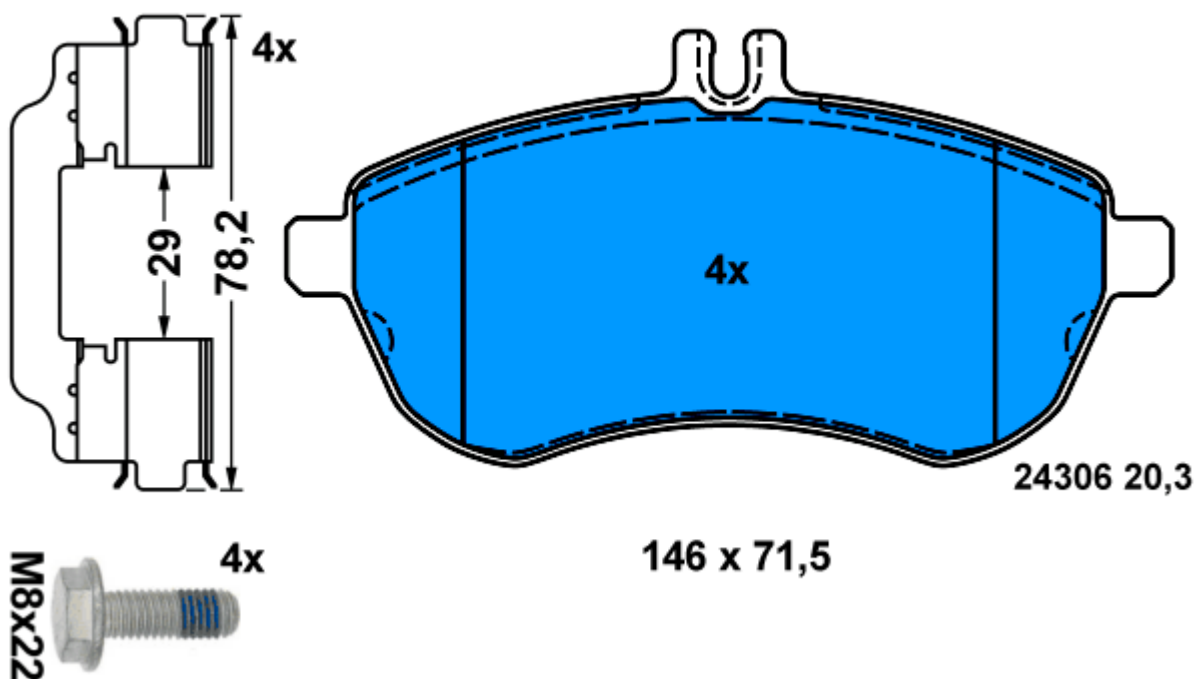
MERCEDES BENZ C-Klasse (S204) Kombi (07-)
MERCEDES BENZ C-Klasse (W204) Limousine (07-)



NEW ATE PAD ON STOCK



13.0460-2733.2 602733



General applications - Details see Detail List

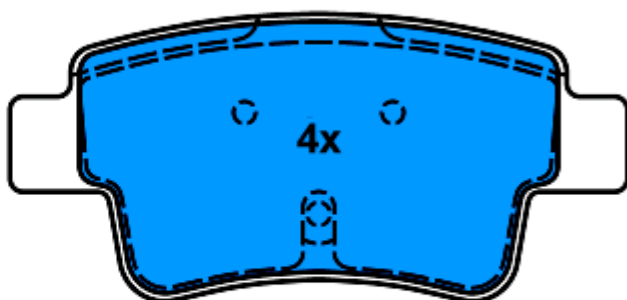
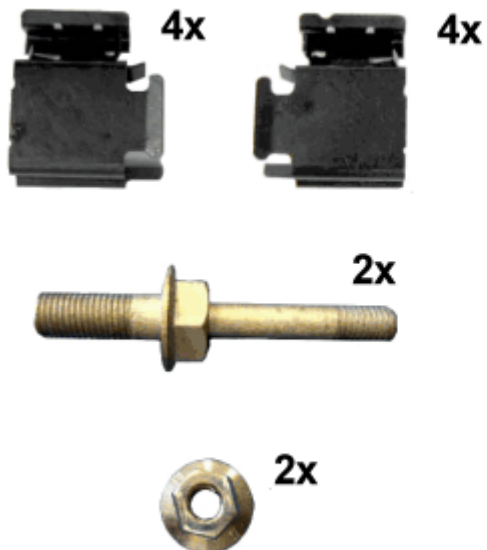
MERCEDES BENZ C-Klasse (S204) Kombi (07-)
MERCEDES BENZ C-Klasse (W204) Limousine (07-)



NEW ATE PAD ON STOCK



13.0460-3848.2 603848



24349 17,6

101,8 x 47,1

General applications - Details see Detail List

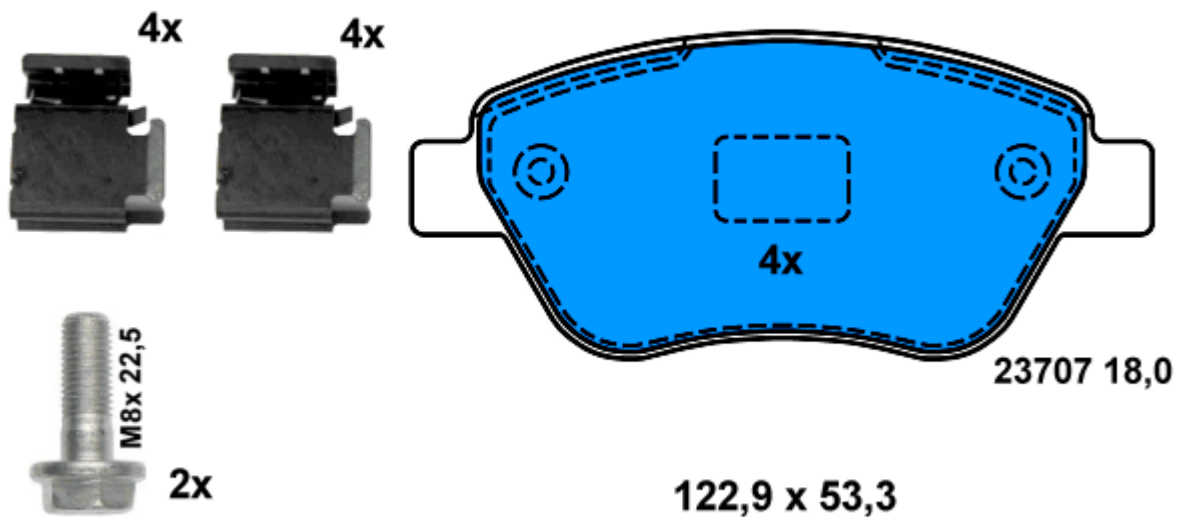
OPEL CORSA D / Vauxhall Corsa MK III (06-)



NEW ATE PAD ON STOCK



13.0460-3850.2 603850



General applications - Details see Detail List

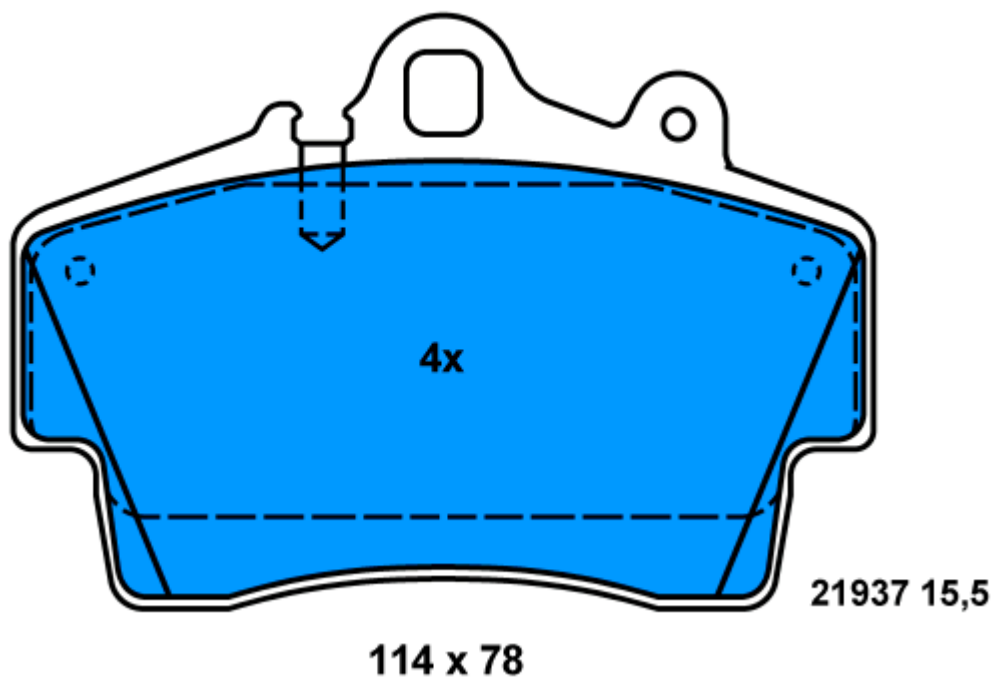
FIAT PANDA (03-)
FIAT PANDA SUV (06-)



NEW ATE PAD ON STOCK



13.0460-4815.2 604815



General applications - Details see Detail List

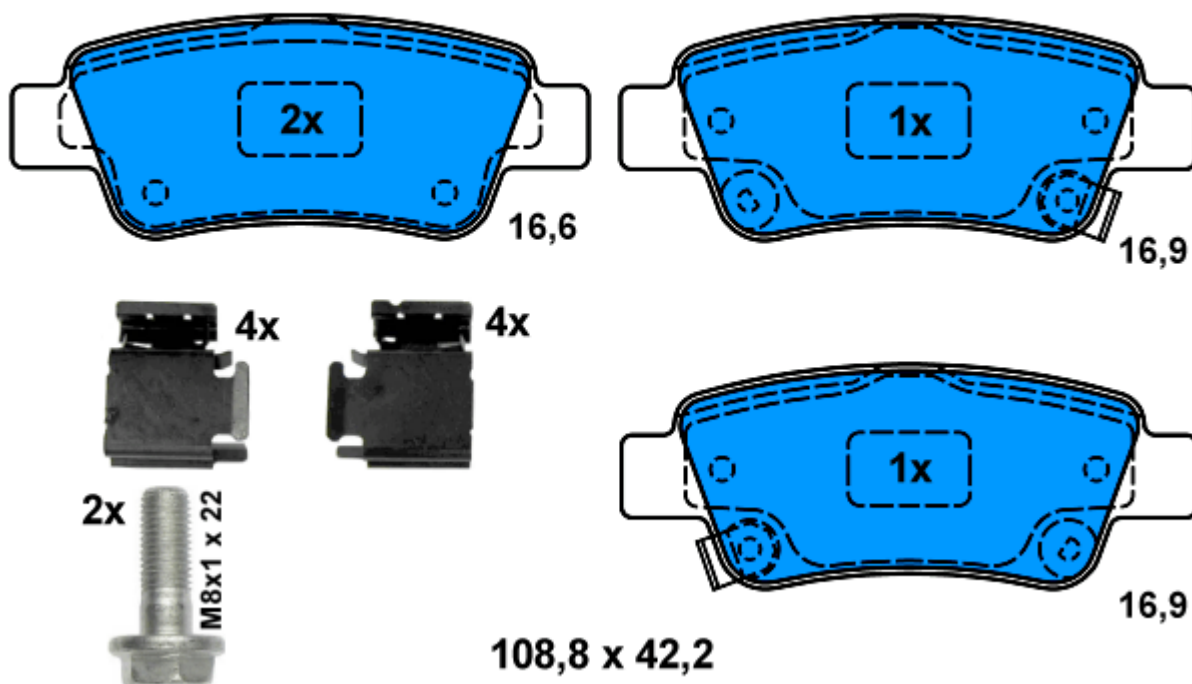
PORSCHE BOXSTER (987) (05-)
PORSCHE CAYMAN (987C) (05-)



NEW ATE PAD ON STOCK



13.0460-5754.2 605754



General applications - Details see Detail List

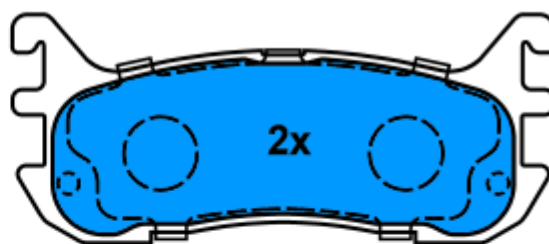
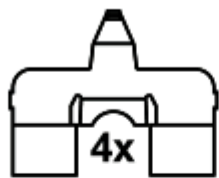
HONDA CR-V III (07-)



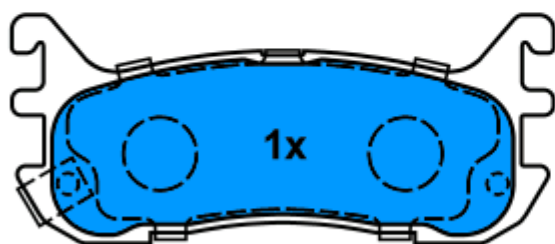
NEW ATE PAD ON STOCK



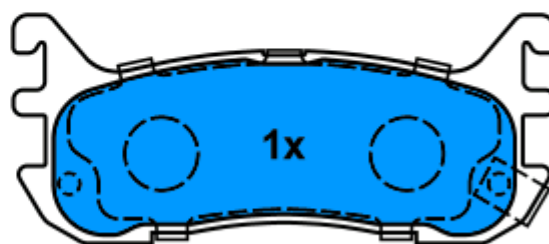
13.0460-5865.2 605865



23387 13,0



23388 13,0



23389 13,0

102,1 x 42,9

General applications - Details see Detail List

MAZDA MX-5 (89-98)

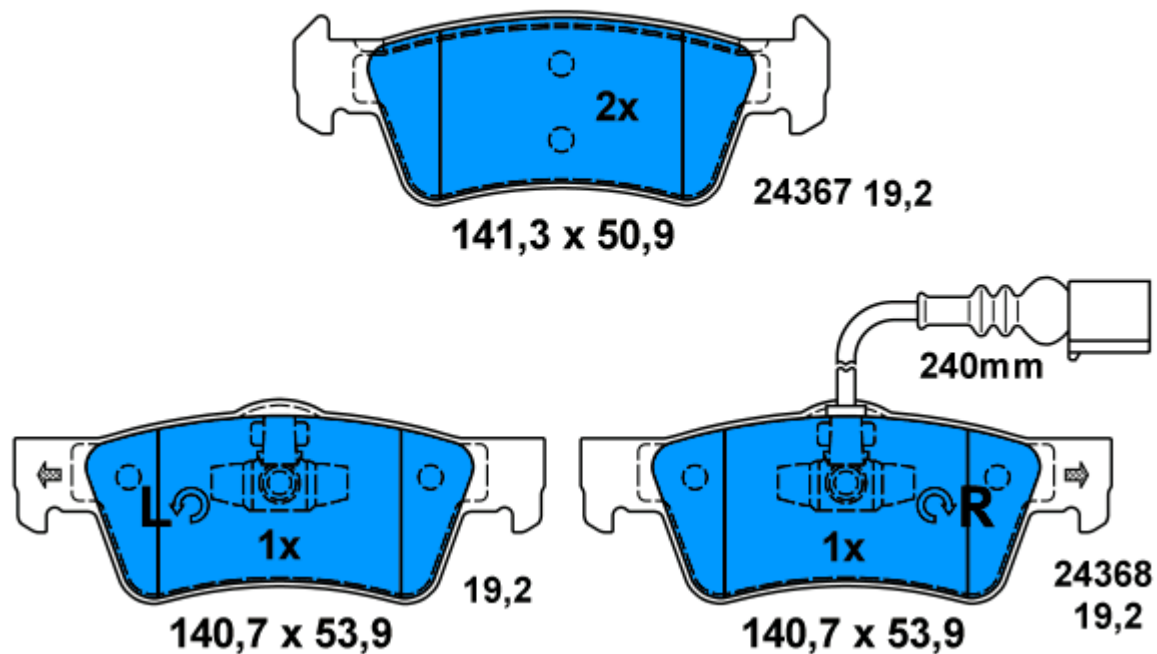
MAZDA MX-5 (98-05)



NEW ATE PAD ON STOCK



13.0460-7247.2 607247



General applications - Details see Detail List

VOLKSWAGEN TOUAREG (03-)

